

# D5072

## I.S. SIL2 Multifunction Temperature Converter

The Multifunction Temperature Converter D5072 accepts a low level dc signal from millivolt, thermocouple or 2-3-4 wire resistance/RTD or transmitting potentiometer sensor, located in Hazardous Area, and converts, with isolation, the signal to drive a Safe Area load, suitable for applications requiring SIL 2 level in safety related systems for high risk industries. Output signal can be direct or reverse. Modbus RTU RS-485 output is available on Bus connector. Cold junction compensation can be programmed as Internal: provided by an internal temperature sensor; Fixed: to a user-customizable temperature value; Remote: (only D5072D) connecting compensation RTD to one of the two ch. For D5072D module: duplicator function provides two independent outputs from one single input. Output function can be configured as: Adder, subtractor, low/high selector. Modules are provided with alarm function, which is available via photoMOS output.

### FEATURES

- SIL 2 / SC 3
- Input from Zone 0/Div. 1
- Installation in Zone 2/Div. 2
- mV, TC, 2/3/4wire res./RTD or potentiometer input
- Duplication/inversion/scaling/custom output
- Selectable CJC: internal PT1000, external RTD or fixed
- Fastest integration time: 50 ms
- Burnout/internal/cjc/in sensor fault monitor
- Alarm output with user-settable trip points
- Modbus RTU RS-485 for monitor & configuration
- Fully programmable operating parameters
- High Accuracy,  $\mu$ P controlled A/D converter
- Three port isolation, Input/Output/Supply
- High Density, two channels per unit

### ORDERING INFORMATION

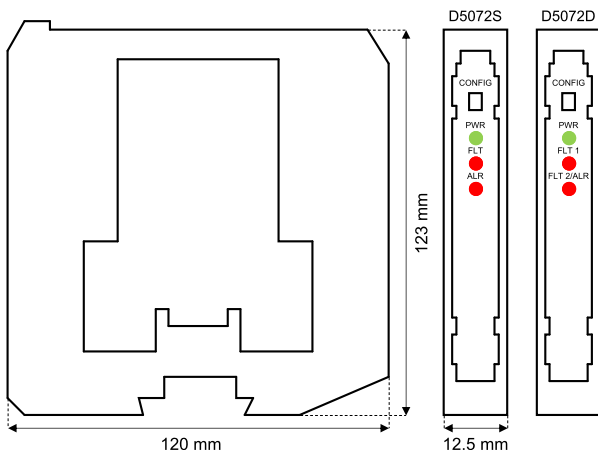
#### Ordering codes

D5072S: 1 channel  
D5072D: 2 channels

#### Accessories

Bus Connector JDFT049, Bus Mounting Kit OPT5096.  
Programmable USB serial line Kit PPC5092 + SWC5090.

### OVERALL DIMENSIONS



### TECHNICAL DATA

#### Supply

24 Vdc nom (18 to 30 Vdc), reverse polarity protected.  
**Current consumption:** 50 mA (D5072D), 42 mA (D5072S), @ 24 Vdc with 20 mA out, typical.  
**Power dissipation:** 1.0 W (D5072D), 0.9 W (D5072S), @ 24 Vdc with 20 mA out, typical.

#### Input

Millivolt, thermocouple, 2-3-4 wire RTD or 3 wire transmitting potentiometer. Refer to Instruction Manual for more details.

**Integration time:** from 50 ms to 500 ms.

**Input range:**  $\pm 500$  mV (TC/mV), 0-4 k $\Omega$  (RTD/res), up to 10 k $\Omega$  (pot).

**Thermocouple reference junction compensation:** programmable: internal Pt1000, fixed, external, or remote.

#### Output

Fully customizable 0/4 to 20 mA, on max. 300  $\Omega$  load source mode, current limited @ 24 mA. Refer to Instruction Manual for more details.

**Transfer characteristic:** linear, direct or reverse on all input sensors.

#### Modbus interface

Modbus RTU RS-485 up to 115.2 kbps for monitor/configuration/control.

#### Performance

**Ref. Conditions:** 24 V supply, 250  $\Omega$  load,  $23 \pm 1$   $^{\circ}$ C ambient temperature, slow integration mode, 3/4 wires configuration for RTD.

#### Input:

**Calibration & linearity accuracy:** refer to Instruction Manual.

**Temp. influence:** refer to Instruction Manual.

**Ref. junction compensation accuracy:**  $\leq \pm 1$   $^{\circ}$ C.

#### Out:

**Calibration accuracy:**  $\leq \pm 10$   $\mu$ A.

**Linearity error:**  $\leq \pm 10$   $\mu$ A.

**Temp. influence:**  $\leq \pm 2$   $\mu$ A/ $^{\circ}$ C.

#### Isolation

I.S. In/Out 2.5 kV; I.S. In/Supply 2.5 kV; I.S. In/I.S. In 500 V;  
Out/Supply 500 V; Out/Out 500 V.

#### Environmental conditions

**Operating temperature:** temperature limits  $-40$  to  $+70$   $^{\circ}$ C.

**Storage temperature:** temperature limits  $-45$  to  $+80$   $^{\circ}$ C.

#### Safety description

Associated apparatus and non-sparking electrical equipment.

D5072S:  $U_o = 7.2$  V,  $I_o = 23$  mA,  $P_o = 40$  mW,  $U_i = 12.8$  V,  $C_i = 0$  nF,  $L_i = 0$  nH at terminals 7-8-9-10.

D5072D:  $U_o = 7.2$  V,  $I_o = 16$  mA,  $P_o = 27$  mW,  $U_i = 12.8$  V,  $C_i = 0$  nF,  $L_i = 0$  nH at terminals 7-8-9, 10-11-12.

$U_m = 250$  Vrms or Vdc,  $-40$   $^{\circ}$ C  $\leq T_a \leq 70$   $^{\circ}$ C.

#### Mounting

DIN-Rail 35 mm, with or without Power Bus or on custom Term. Board.

**Weight:** about 135 g (D5072D), 130 g (D5072S).

**Connection:** by polarized plug-in disconnect screw terminal blocks to accommodate terminations up to 2.5 mm<sup>2</sup> (13 AWG).

**Dimensions:** Width 12.5 mm, Depth 123 mm, Height 120 mm.



Functional Safety Management Certification:

GM International is certified to conform to IEC61508:2010 part 1 clauses 5-6 for safety related systems up to and included SIL3. In addition, GM International products have been granted I.S. certificates from the most credited Notified Bodies in the world.

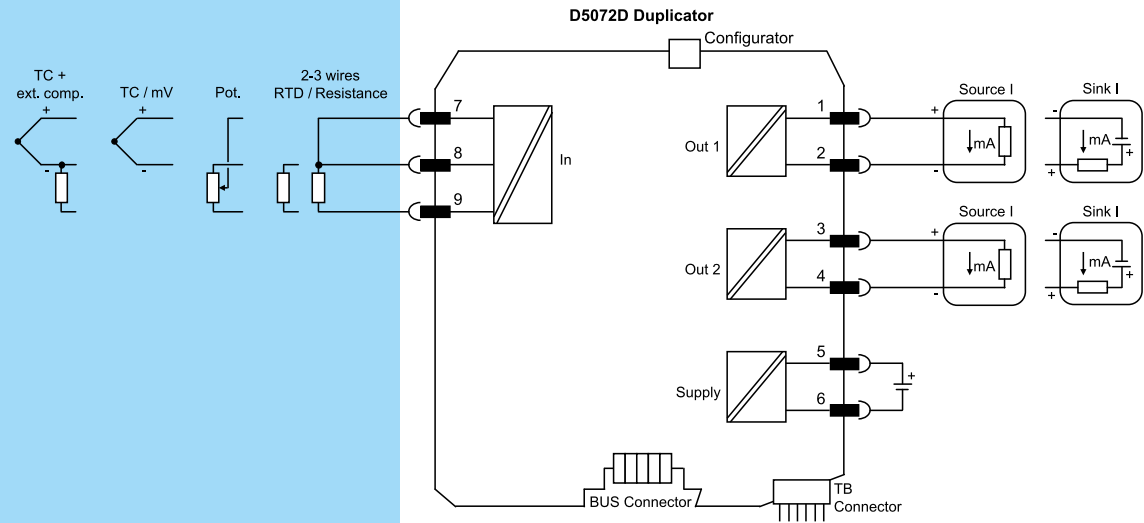
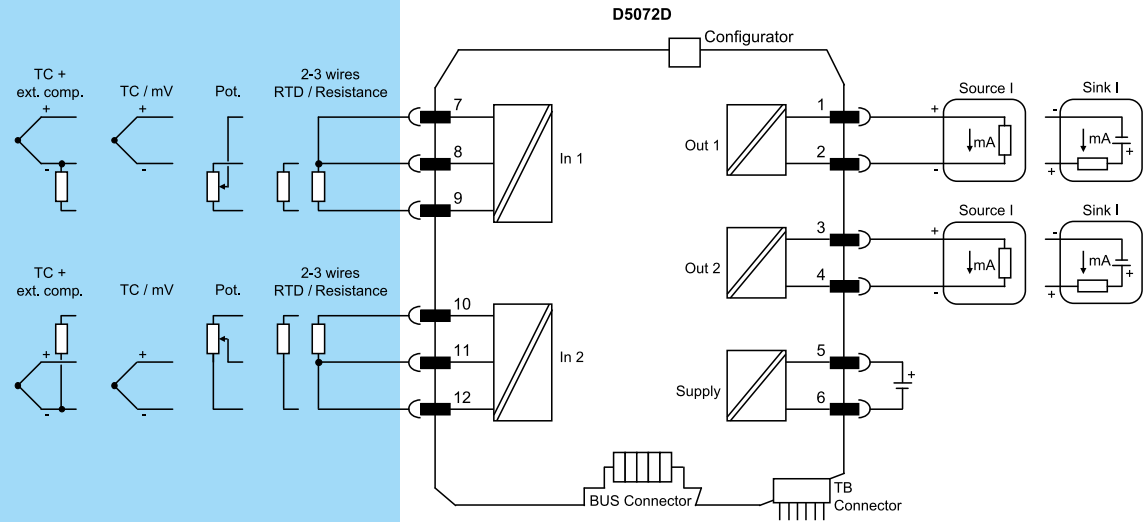
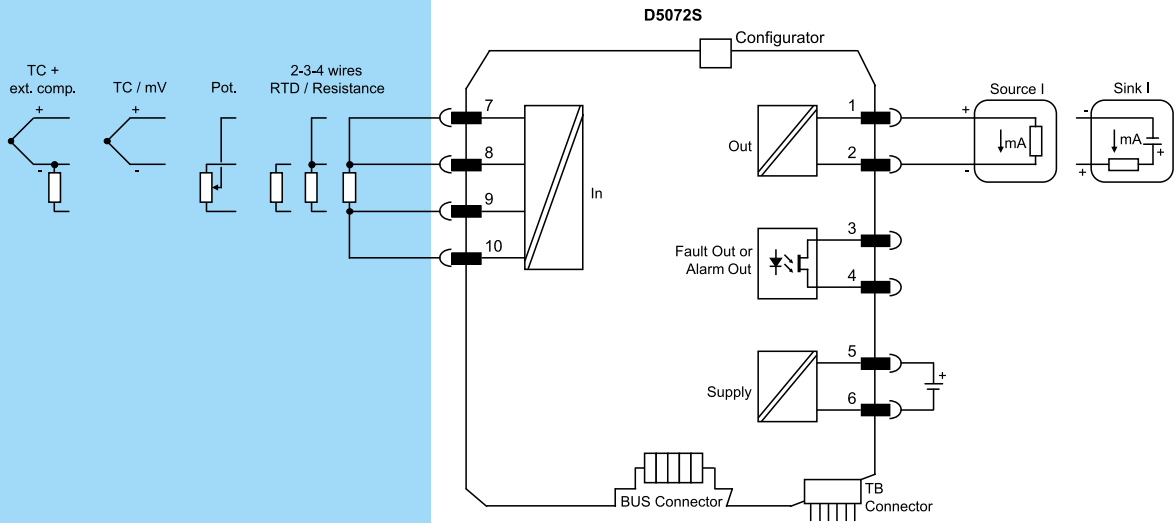
Data specified in this document are merely descriptive of the products and should be integrated with relevant technical specifications. Our products are in constant development and the information presented herein refers to the time of document issue. No statements concerning a certain condition or suitability for a certain application can be derived from our information. The information given does not release the user from the obligation of own judgment and verification. Terms & Conditions can be found at our website. For more information refer to instruction manual.

# FUNCTION DIAGRAM

Additional installation diagrams may be found in Instruction Manual.

## Hazardous Area

## Safe Area/Zone 2/Div. 2



Functional Safety Management Certification: GM International is certified to conform to IEC61508:2010 part 1 clauses 5-6 for safety related systems up to and included SIL3. In addition, GM International products have been granted I.S. certificates from the most credited Notified Bodies in the world.

Data specified in this document are merely descriptive of the products and should be integrated with relevant technical specifications. Our products are in constant development and the information presented herein refers to the time of document issue. No statements concerning a certain condition or suitability for a certain application can be derived from our information. The information given does not release the user from the obligation of own judgment and verification. Terms & Conditions can be found at our website. For more information refer to instruction manual.