

D5072-087

I.S. SIL2 Resistance Repeater

The Resistance Repeater D5072-087 accepts a resistance/RTD or transmitting potentiometer sensor, located in Hazardous Area, and repeats the resistance, with isolation, to Safe Area, suitable for applications requiring SIL 2 level in safety related systems for high risk industries.

FEATURES

- SIL 2 / SC 3
- Input from Zone 0/Div. 1
- Installation in Zone 2/Div. 2
- 2/3/4 wire res./RTD or potentiometer input
- Burnout Fault detection
- Fully programmable operating parameters
- High Accuracy
- Three port isolation, Input/Output/Supply
- High Density, two channels per unit

ORDERING INFORMATION

Ordering codes

D5072S-087: 1 channel

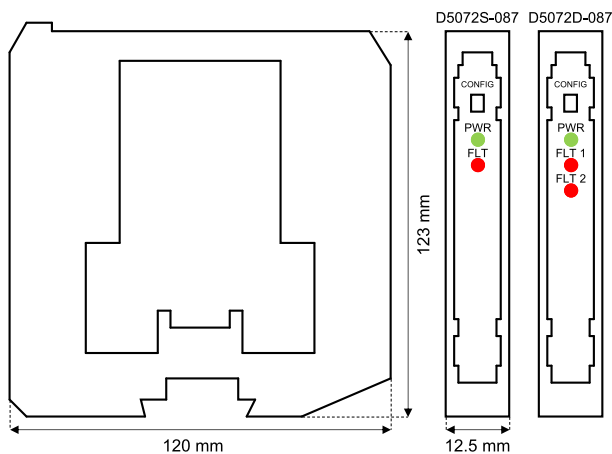
D5072D-087: 2 channels

Accessories

Bus Connector JDFT049 (mandatory for D5072D-087, optional for D5072S-087), Bus Mounting Kit OPT5096 (mandatory for D5072D-087, optional for D5072S-087).

Programmable USB serial line Kit PPC5092 + SWC5090.

OVERALL DIMENSIONS



TECHNICAL DATA

Supply

24 Vdc nom (18 to 30 Vdc), reverse polarity protected.

Current consumption: 35 mA (D5072S-087), 37 mA (D5072D-087),

@ 24 Vdc with 1 mA excitation current, typical.

Power dissipation: 0.85 W (D5072S-087), 0.9 W (D5072D-087),

@ 24 Vdc with 1 mA excitation current, typical.

Input

2-3-4 wire (4 wire only for D5072S-087) Resistance or 2 transmitting pot.

Integration time: from 50 ms to 500 ms.

Input range: 0 to 4 k Ω .

Measuring RTD current: \leq 0.15 mA.

Output

2-3-4 wire (4 wire only for D5072S-087) resistance.

Transfer characteristic: linear, scaled or custom.

Response time: 10 to 90 % step: \leq 10.0 ms (slow), \leq 1.2 ms (fast).

Output range: 0 to 400 Ω .

Excitation current: 0.1 to 10 mA.

Fault

Burnout / Internal fault. Output reflects fault condition via highsacle (450 Ω) value forcing. Fault condition is also signaled via BUS and red LED on front panel.

Performance

Ref. Conditions: 24 V supply, 23 ± 1 $^{\circ}$ C ambient temperature, slow

integration mode, 4 wires (for D5072S-087) or 3 wires (for D5072D-087) configuration for RTD, input/output range 10 to 400 Ω .

Input to out:

Calibration & linearity accuracy: \leq 200 m Ω typical (Excitation Current \geq 1 mA); \leq 300 m Ω typical (0.5 mA \leq Excitation Current < 1 mA).

Temp. influence: \pm 20 m Ω / $^{\circ}$ C, typical (Excitation Current \geq 1 mA).

Isolation

I.S. In/Out 2.5 kV; I.S. In/Supply 2.5 kV; I.S. In/I.S. In 500 V;

Out/Supply 500 V; Out/Out 500 V.

Environmental conditions

Operating temperature: temperature limits -40 to $+70$ $^{\circ}$ C.

Storage temperature: temperature limits -45 to $+80$ $^{\circ}$ C.

Safety description

Associated apparatus and non-sparking electrical equipment.

D5072S-087: $U_o = 7.2$ V, $I_o = 23$ mA, $P_o = 40$ mW, $U_i = 12.8$ V, $C_i = 0$ nF, $L_i = 0$ nH at terminals 7-8-9-10.

D5072D-087: $U_o = 7.2$ V, $I_o = 16$ mA, $P_o = 27$ mW, $U_i = 12.8$ V, $C_i = 0$ nF, $L_i = 0$ nH at terminals 7-8-9, 10-11-12.

$U_m = 250$ Vrms or Vdc, -40 $^{\circ}$ C $\leq T_a \leq 70$ $^{\circ}$ C.

Mounting

DIN-Rail 35 mm, with or without Power Bus.

Weight: about 135 g (D5072D-087), 130 g (D5072S-087).

Connection: by polarized plug-in disconnect screw terminal blocks to accommodate terminations up to 2.5 mm 2 (13 AWG).

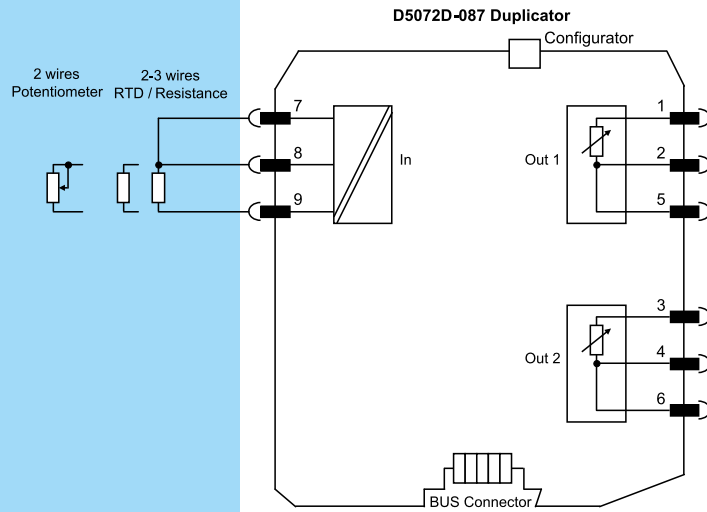
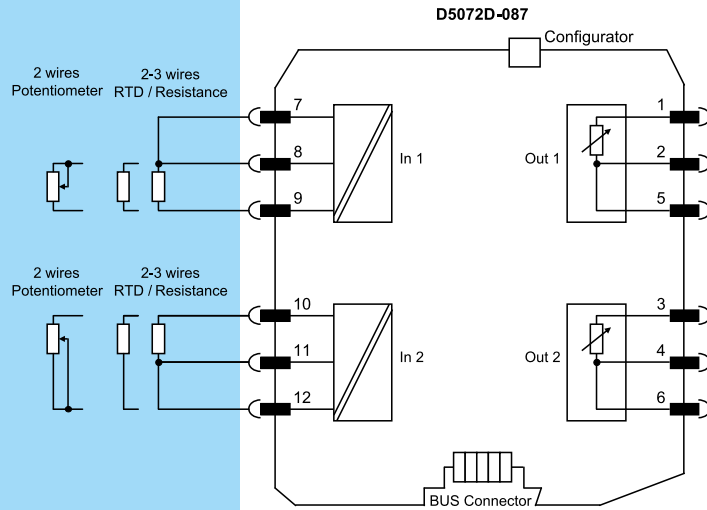
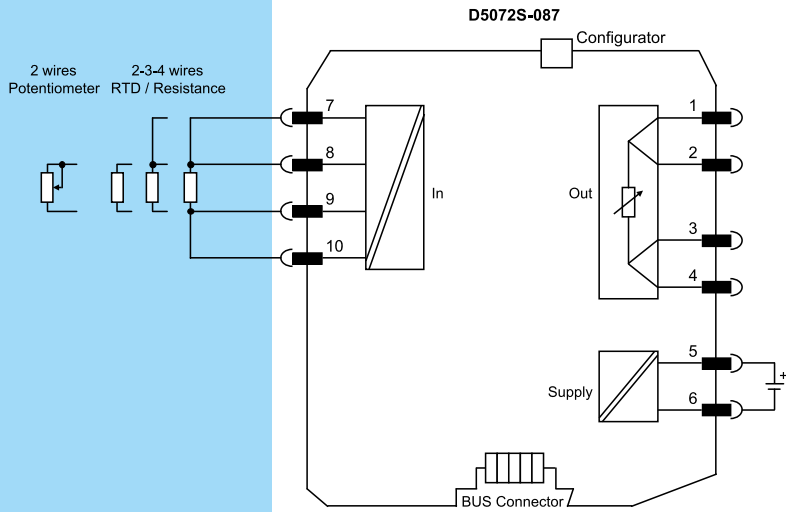
Dimensions: Width 12.5 mm, Depth 123 mm, Height 120 mm.

FUNCTION DIAGRAM

Additional installation diagrams may be found in Instruction Manual.

Hazardous Area

Safe Area/Zone 2/Div. 2



Functional Safety Management Certification: GM International is certified to conform to IEC61508:2010 part 1 clauses 5-6 for safety related systems up to and included SIL3. In addition, GM International products have been granted I.S. certificates from the most credited Notified Bodies in the world.

Data specified in this document are merely descriptive of the products and should be integrated with relevant technical specifications. Our products are in constant development and the information presented herein refers to the time of document issue. No statements concerning a certain condition or suitability for a certain application can be derived from our information. The information given does not release the user from the obligation of own judgment and verification. Terms & Conditions can be found at our website. For more information refer to instruction manual.