

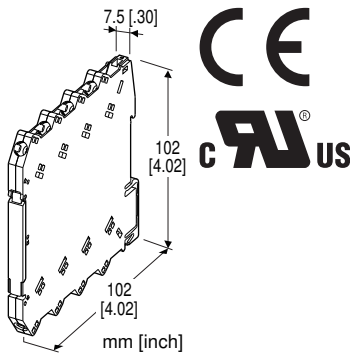
Screw Terminal Ultra-Slim Signal Conditioners M6N/MI Series

DC Power
R: 24 V DC
 (Operational voltage range 24 V ±10 %, ripple 10 %p-p max.)

ISOLATOR

Functions & Features

- 7.5-mm wide ultra-slim design
- Low profile allows the M6N module mounted in a 120-mm deep panel
- Galvanically isolates process instrumentation signals
- High-density mounting
- Power indicator LED



MODEL: M6NYV-[1][2]-[3][4]/MI

/MI : Odm model

ORDERING INFORMATION

- Code number: M6NYV-[1][2]-[3][4]/MI
- Specify a code from below for each of [1] through [4].
 (e.g. M6NYV-4W4W-R/K/UL/Q/MI)
- Specify the specification for option code /Q
 (e.g. /C01)

[1] INPUT / [2] OUTPUT

- AA:** 4 - 20 mA DC (Input resistance 50 Ω)
 / 4 - 20 mA DC (Load resistance 550 Ω max.) **A6:**
 4 - 20 mA DC (Input resistance 50 Ω)
 / 1 - 5 V DC (Load resistance 5000 Ω min.) **6A:** 1 - 5
 V DC (Input resistance 1 MΩ min.)
 / 4 - 20 mA DC (Load resistance 550 Ω max.) **66:** 1 - 5 V DC
 (Input resistance 1 MΩ min.)
 / 1 - 5 V DC (Load resistance 5000 Ω min.) **4W4W:**
 -10 - +10 V DC (Input resistance 1 MΩ min.)
 / -10 - +10 V DC (Load resistance 20 kΩ min.)

[3] POWER INPUT

AC Power
M2: 100 - 240 V AC (Operational voltage range 90 - 264 V,
 47 - 66 Hz)
 (UL not available)

[4] OPTIONS (multiple selections)

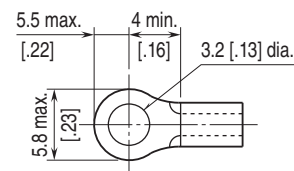
Response Time (0 - 90 %)
blank: Standard (≤ 0.5 sec.)
/K: Fast Response (Approx. 3.5 msec. voltage output;
 Approx. 25 msec. current output)
 Standards & Approvals
blank: CE marking
/UL: UL approval, CE marking
 Other Options
blank: none
/Q: Option other than the above (specify the specification)

SPECIFICATIONS OF OPTION: Q

COATING
/C01: Silicone coating
/C02: Polyurethane coating

GENERAL SPECIFICATIONS

Connection
Input and output: M3 screw terminal (torque 0.5 N·m)
Power input: Via the Installation Base (model: M6NBS) (not
 available for AC power input)
 or M3 screw terminal (torque 0.5 N·m)
Recommended solderless terminal: Max. 5.8 mm (0.23")
 wide; Ones with insulation sleeve do not fit.
 Applicable wire size: 0.2 - 2.5 mm²
Housing material: Flame-resistant resin (black)
Isolation: Input to output to power
Zero adjustment: -2 to +2 % (front)
 (Output code 4W: Adjustable at 0 V.)
Span adjustment: 98 to 102 % (front)
Power indicator LED: Green LED turns on when the power is
 supplied.
 ■ Recommended solderless terminal (unit: mm [inch])



INPUT SPECIFICATIONS

■ **DC Current:** Input resistor incorporated

INSTALLATION

Power Consumption

- AC: Max. 2 VA
- DC: Approx. 0.45 W

Operating temperature: -20 to +55°C (-4 to +131°F)

Operating humidity: 30 to 90 %RH (non-condensing)

Mounting: Installation Base (model: M6NBS) or DIN rail

Weight: 60 g (2.1 oz)

PERFORMANCE in percentage of span

Accuracy: ±0.1 %

Temp. coefficient: ±0.01 %/°C (±0.006 %/°F)

Line voltage effect: ±0.1 % over voltage range

Insulation resistance: ≥ 100 MΩ with 500 V DC

Dielectric strength: 2000 V AC @1 minute (input to output to power to ground)

STANDARDS & APPROVALS

EU conformity:

EMC Directive

EMI EN 61000-6-4

EMS EN 61000-6-2

Low Voltage Directive

EN 61010-1

Installation Category II

Pollution Degree 2

Input or output to power: Reinforced insulation (300 V)

Input to output: Basic insulation (300 V)

RoHS Directive

Approval:

UL/C-UL nonincendive Class I, Division 2,

Groups A, B, C, and D

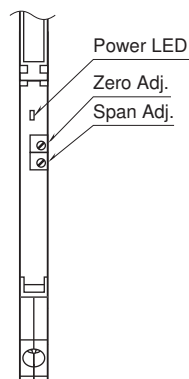
(ANSI/ISA-12.12.01, CAN/CSA-C22.2 No.213)

UL/C-UL general safety requirements

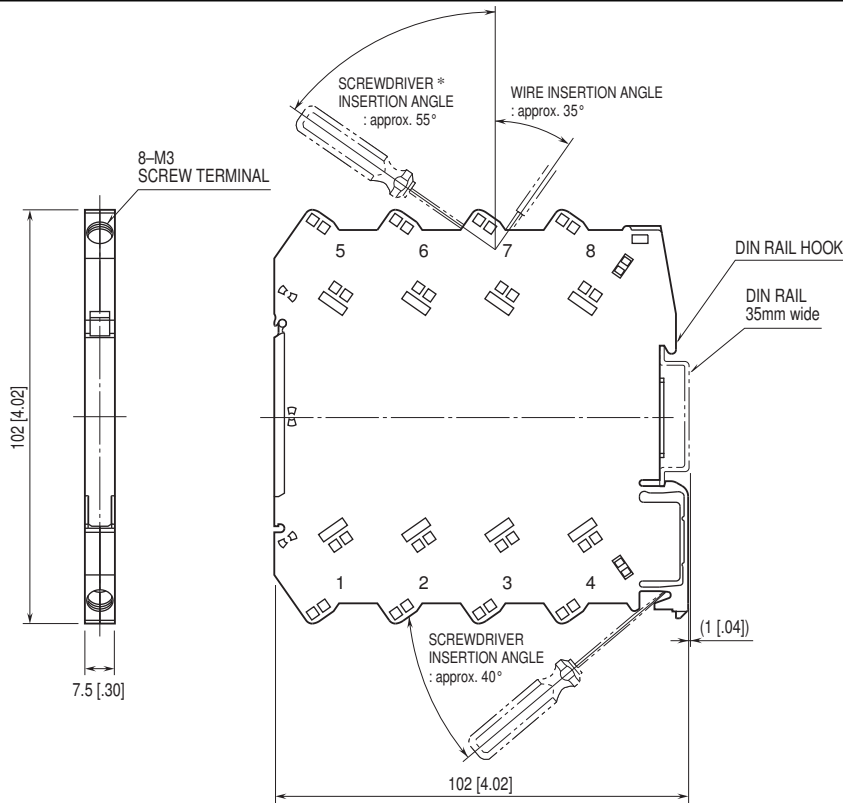
(UL 61010-1, CAN/CSA-C22.2 No.61010-1)

EXTERNAL VIEW

(With the cover open)

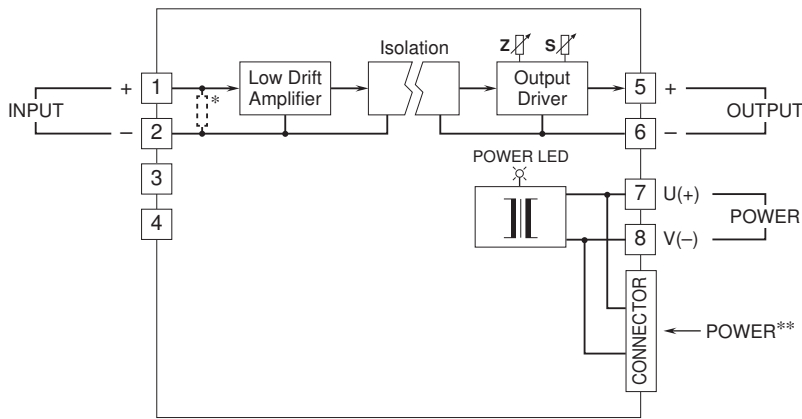


EXTERNAL DIMENSIONS & TERMINAL ASSIGNMENTS unit: mm [inch]



*Screwdriver stem diameter: 6 mm [.24"] or less • When mounting, no extra space is needed between units.

SCHEMATIC CIRCUITRY & CONNECTION DIAGRAM



* Input shunt resistor incorporated for current input.
 ** Available only for DC power input type



Specifications are subject to change without notice.