

Screw Terminal Ultra-Slim Signal Conditioners M6N/MI Series

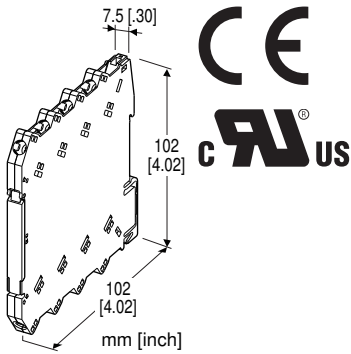
(Configurator software is used to change the input type and precise range.)

THERMOCOUPLE TRANSMITTER

(PC programmable)

Functions & Features

- 7.5-mm wide ultra-slim design
- Low profile allows the M6N module mounted in a 120-mm deep panel
- Accepts a thermocouple input and provides an isolated, linearized DC signal
- Cold junction compensation, linearization and burnout protection
- PC programmable
- High-density mounting
- Power indicator LED



MODEL: M6NXT-[1][2]-R[3]/MI

/MI : Odm model

ORDERING INFORMATION

- Code number: M6NXT-[1][2]-R[3]/MI
- Specify a code from below for each of [1] through [3].
- (e.g. M6NXT-2Z1-R/UL/Q)
- Temperature range (e.g. 0 - 1000°C)
- Output range (e.g. 4 - 20mA DC)
- Specify the specification for option code /Q (e.g. /C01/SET)

[1] INPUT THERMOCOUPLE

- 1: (PR)
- 2: K (CA)
- 3: E (CRC)
- 4: J (IC)
- 5: T (CC)
- 6: B (RH)
- 7: R
- 8: S
- N: N
- 0: Specify (Please provide a emf table.)

[2] OUTPUT

Current

Z1: Range 0 - 20 mA DC

Voltage

V2: Range -10 - +10 V DC

V3: Range -5 - +5 V DC

(Configurator software is used to change output over the described range of the selected suffix code.

For changing between suffix codes, set the Output Range Selector on the side of unit before software adjustment.)

POWER INPUT

DC Power

R: 24 V DC

(Operational voltage range 24 V ±10 %, ripple 10 %p-p max.)

[3] OPTIONS (multiple selections)

Standards & Approvals

blank: CE marking

/UL: UL approval, CE marking

Other Options

blank: none

/Q: Option other than the above (specify the specification)

SPECIFICATIONS OF OPTION: Q (multiple selections)

COATING

/C01: Silicone coating

/C02: Polyurethane coating

EX-FACTORY SETTING

/SET: Preset according to the Ordering Information Sheet

(No. ESU-7831)(UL not available)

RELATED PRODUCTS

- PC configurator software (model: M6CFG)
A dedicated cable is required to connect the module to the PC. Please refer to the PC configurator user manual for applicable cable types.

GENERAL SPECIFICATIONS

Connection

Input and output: M3 screw terminal (torque 0.5 N·m)

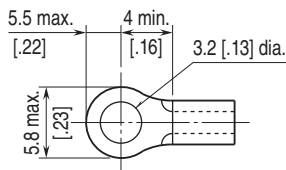
Power input: Via the Installation Base (model: M6NBS) or

M3 screw terminal (torque 0.5 N·m) **Recommended**

solderless terminal: Max. 5.8 mm (0.23") wide; Ones

with insulation sleeve do not fit.

Applicable wire size: 0.2 – 2.5 mm²
Screw terminal: Nickel-plated steel
Housing material: Flame-resistant resin (black)
Isolation: Input to output to power
Overrange output: -2 – +102 %
 (Negative current output is not available.)
Zero adjustment: -2 to +2 % (PC programming)
Span adjustment: 98 to 102 % (PC programming)
Burnout: Upscale standard; downscale or no burnout optional by programming
Linearization: Standard
Cold Junction Compensation: CJC sensor incorporated
Power indicator LED: Green LED turns on when the power is supplied.
Status indicator LED: Orange LED; Blinking patterns indicate different operating status of the transmitter.
Programming: Downloaded from PC; input type and range, output type and range, zero and span, burnout type, user's linearization table, temperature unit, cold junction compensation, response characteristics (version 1.30 or later), cold junction compensation, filter time constant, etc. For detailed information, refer to the users manual for the PC configurator.
Configurator connection: 2.5 dia. miniature jack; RS-232-C level
 ■ Recommended solderless terminal (unit: mm [inch])



INPUT SPECIFICATIONS

Input resistance: 1 MΩ min.
Burnout sensing: ≤ 0.2 μA
Temperature range: See Table 1.
 If not specified, the input range is shown below.
 1 PR: 0 – 1600°C
 2 K: 0 – 1000°C
 3 E: 0 – 500°C
 4 J: 0 – 500°C
 5 T: 0 – 300°C
 6 B: 500 – 1600°C
 7 R: 500 – 1600°C
 8 S: 0 – 1600°C
 N N: 0 – 1000°C

OUTPUT SPECIFICATIONS

■ DC Current
Output range: 0 – 20 mA DC

Conformance range: 0 – 20.4 mA DC
Minimum span: 1 mA
Offset: Lower range can be any specific value within the output range provided that the minimum span is maintained.
Load resistance: Output drive 11 V max. (e.g. 4 – 20 mA: 550 Ω [11 V ÷ 20 mA])
 If not specified, the output range is 4 – 20 mA DC.
 ■ DC Voltage
Code V2 (wide spans)
Output range: -10 – +10 V DC
Conformance range: -10.4 – +10.4 V DC
Minimum span: 1 V
Code V3 (narrow spans)
Output range: -5 – +5 V DC
Conformance range: -5.2 – +5.2 V DC
Minimum span: 0.5 V
Offset: Lower range can be any specific value within the output range provided that the minimum span is maintained.
Load resistance: Output drive 1 mA max. (e.g. 1 – 5 V: 5000 Ω [5 V ÷ 1 mA])
 If not specified, the output range is shown below.
 V2: 0 – 10 V DC
 V3: 1 – 5 V DC

INSTALLATION

Power consumption: Approx. 0.5 W
Operating temperature: -20 to +55°C (-4 to +131°F)
Operating humidity: 30 to 90 %RH (non-condensing)
Mounting: Installation Base (model: M6NBS) or DIN rail
Weight: 65 g (2.3 oz)

PERFORMANCE

Overall accuracy: Input accuracy + output accuracy
 • **Input accuracy:** Accuracy (Table 1) + Cold Junction Compensation Error 3°C (5.4°F)
 • **Output accuracy:** Max. Output Range ÷ Span × ±0.04%
Cold junction compensation error:
 ±3°C at 25 ±10°C
 ±5.4°F at 77 ±18°F
Temp. coefficient: ±0.01 %/°C (±0.006 %/°F) of max. span
Response time: ≤ 0.5 sec. (0 – 90 %)
Burnout response: ≤ 10 sec.
Line voltage effect: ±0.1 % over voltage range
Insulation resistance: ≥ 100 MΩ with 500 V DC
Dielectric strength: 2000 V AC @1 minute (input to output to power to ground)

CALCULATION EXAMPLES OF OVERALL ACCURACY

[Example] K thermocouple, 0 - 1000°C, 4 - 20 mA DC

output

Absolute value accuracy (Table 1): 0.25°C

CJC error (3°C) added: 3.25°C

• Input accuracy = $3.25^{\circ}\text{C} \div 1000^{\circ}\text{C} \times 100 = 0.325 \%$

Output span: 16 mA (20 - 4)

• Output accuracy = $20 \text{ mA} \div 16 \text{ mA} \times 0.04 = 0.05 \%$

Overall accuracy including CJC error = $0.325 + 0.05 =$

$\pm 0.38 \%$ of span

Table 1.

THERMOCOUPLE	°C			
	MIN. SPAN	MAXIMUM RANGE	CONFORMANCE RANGE	ACCURACY
(PR)	20	0 to 1760	0 to 1760	±1.00
K (CA)	20	-270 to +1370	-150 to +1370	±0.25
E (CRC)	20	-270 to +1000	-170 to +1000	±0.20
J (IC)	20	-210 to +1200	-180 to +1200	±0.25
T (CC)	20	-270 to +400	-170 to +400	±0.25
B (RH)	20	100 to 1820	400 to 1760	±0.75
R	20	-50 to +1760	200 to 1760	±0.50
S	20	-50 to +1760	0 to 1760	±0.50
N	20	-270 to +1300	-130 to +1300	±0.30
THERMOCOUPLE	°F			
	MIN. SPAN	MAXIMUM RANGE	CONFORMANCE RANGE	ACCURACY
(PR)	36	32 to 3200	32 to 3200	±1.80
K (CA)	36	-454 to +2498	-238 to +2498	±0.45
E (CRC)	36	-454 to +1832	-274 to +1832	±0.36
J (IC)	36	-346 to +2192	-292 to +2192	±0.45
T (CC)	36	-454 to +752	-274 to +752	±0.45
B (RH)	36	212 to 3308	752 to 3200	±1.35
R	36	-58 to +3200	392 to 3200	±0.90
S	36	-58 to +3200	32 to 3200	±0.90
N	36	-454 to +2372	-202 to +2372	±0.54

STANDARDS & APPROVALS

EU conformity:

EMC Directive

EMI EN 61000-6-4

EMS EN 61000-6-2

RoHS Directive

Approval:

UL/C-UL nonincendive Class I, Division 2,

Groups A, B, C, and D

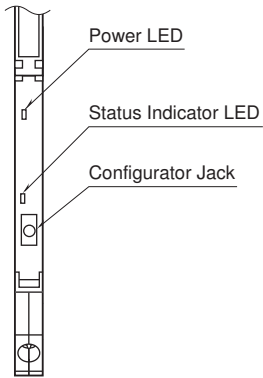
(ANSI/ISA-12.12.01, CAN/CSA-C22.2 No.213)

UL/C-UL general safety requirements

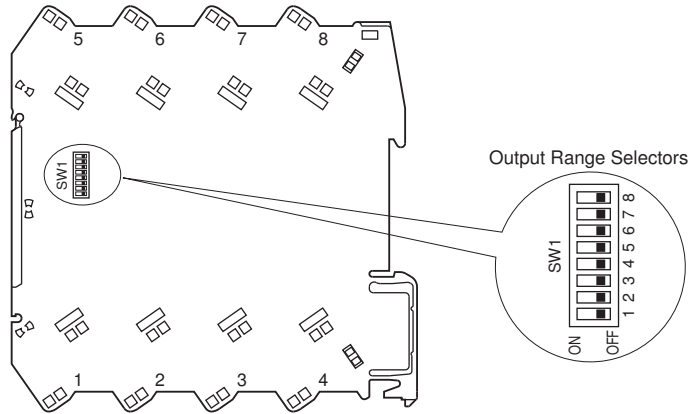
(UL 61010-1, CAN/CSA-C22.2 No.61010-1)

EXTERNAL VIEW

FRONT VIEW (with the cover open)

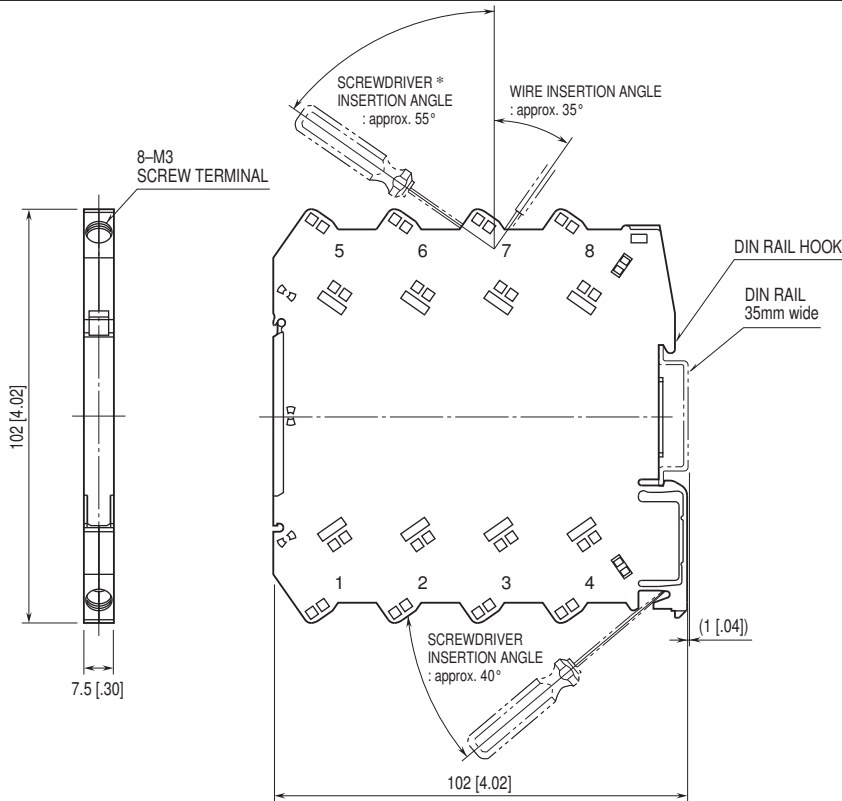


SIDE VIEW



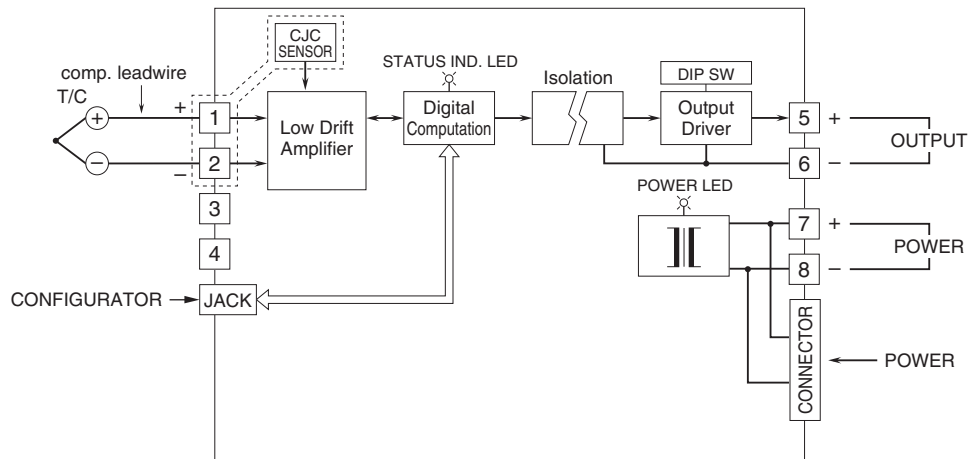
The DIP switch setting is required to select output types before setting a precise output range using PC Configurator Software (model: M6CFG). Refer to the instruction manual for detailed procedures.

EXTERNAL DIMENSIONS & TERMINAL ASSIGNMENTS unit: mm [inch]



*Screwdriver stem diameter: 6 mm [.24"] or less • When mounting, no extra space is needed between units.

SCHEMATIC CIRCUITRY & CONNECTION DIAGRAM



Specifications are subject to change without notice.