

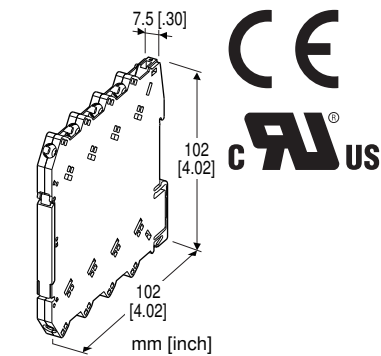
Screw Terminal Ultra-Slim Signal Conditioners M6N/MI Series

SIGNAL TRANSMITTER

(two isolated outputs)

Functions & Features

- 7.5-mm wide ultra-slim design
- Low profile allows the M6N module mounted in a 120-mm deep panel
- Galvanically isolates process instrumentation signals
- High-density mounting
- Power indicator LED



MODEL: M6NWVS-[1][2][3]-R[4]/MI

/MI : Odm model

ORDERING INFORMATION

- Code number: M6NWVS-[1][2][3]-R[4]/MI
- Specify a code from below for each of [1] through [4].
(e.g. M6NWVS-AAA-R/K/UL/Q/MI)
- Special input range (For codes Z & 0)
- Specify the specification for option code /Q
(e.g. /C01)

[1] INPUT

Current

- A:** 4 - 20 mA DC (Input resistance 50 Ω)
- B:** 2 - 10 mA DC (Input resistance 100 Ω)
- C:** 1 - 5 mA DC (Input resistance 200 Ω)
- D:** 0 - 20 mA DC (Input resistance 50 Ω)
- E:** 0 - 16 mA DC (Input resistance 50 Ω)
- F:** 0 - 10 mA DC (Input resistance 100 Ω)
- G:** 0 - 1 mA DC (Input resistance 1000 Ω)
- H:** 10 - 50 mA DC (Input resistance 20 Ω)
- Z:** Specify current (See INPUT SPECIFICATIONS)

Voltage

- 3:** 0 - 1 V DC (Input resistance 1 MΩ min.)
- 4:** 0 - 10 V DC (Input resistance 1 MΩ min.)
- 5:** 0 - 5 V DC (Input resistance 1 MΩ min.)
- 6:** 1 - 5 V DC (Input resistance 1 MΩ min.)

4W: -10 - +10 V DC (Input resistance 1 MΩ min.)

5W: -5 - +5 V DC (Input resistance 1 MΩ min.)

0: Specify voltage (See INPUT SPECIFICATIONS)

[2] OUTPUT 1

Current

A: 4 - 20 mA DC (Load resistance 280 Ω max.)

D: 0 - 20 mA DC (Load resistance 280 Ω max.)

Voltage

5: 0 - 5 V DC (Load resistance 5000 Ω min.)

6: 1 - 5 V DC (Load resistance 5000 Ω min.)

[3] OUTPUT 2

Same range availability as Output 1

Y: None

POWER INPUT

DC Power

R: 24 V DC

(Operational voltage range 24 V ±10 %, ripple 10 %p-p max.)

[4] OPTIONS (multiple selections)

Response Time (0 - 90 %)

blank: Standard (≤ 0.5 sec.)

/K: Fast Response (Approx. 3.5 msec.)

Standards & Approvals

blank: CE marking

/UL: UL approval, CE marking

Other Options

blank: none

/Q: Option other than the above (specify the specification)

SPECIFICATIONS OF OPTION: Q

COATING

/C01: Silicone coating

/C02: Polyurethane coating

GENERAL SPECIFICATIONS

Connection

Input and output: M3 screw terminal (torque 0.5 N·m)

Power input: Via the Installation Base (model: M6NBS) or M3 screw terminal (torque 0.5 N·m)

Recommended solderless terminal: Max. 5.8 mm (0.23") wide; Ones with insulation sleeve do not fit.

Applicable wire size: 0.2 - 2.5 mm²

Housing material: Flame-resistant resin (black)

Isolation: Input to output 1 to output 2 to power

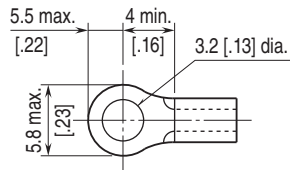
Zero adjustment: -2 to +2 % (front)

Span adjustment: 98 to 102 % (front)

Power indicator LED: Green LED turns on when the power is

supplied.

■ Recommended solderless terminal (unit: mm [inch])



INPUT SPECIFICATIONS

- **DC Current:** Input resistor incorporated
Specify input resistance value among followings for code Z.
20Ω, 50Ω, 100Ω, 200Ω, 249Ω, 1000Ω
($0.125 \text{ W} \geq [\text{Input current}]^2 \times R$)
- **DC Voltage:** -30 - +30 V DC
- Minimum span:** 100 mV
- Offset:** Max. 1.5 times span
- Input resistance:** 1 MΩ min. (10 kΩ min. with no power supplied)

INSTALLATION

- Power consumption:** Approx. 0.6 W
- Operating temperature:** -20 to +55°C (-4 to +131°F)
- Operating humidity:** 30 to 90 %RH (non-condensing)
- Mounting:** Installation Base (model: M6NBS) or DIN rail
- Weight:** 60 g (2.1 oz)

PERFORMANCE in percentage of span

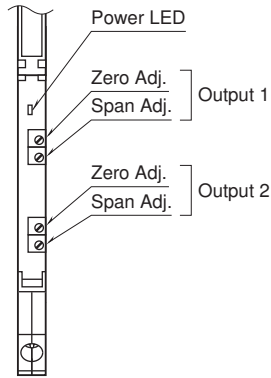
- Accuracy:** ±0.1 %
- Temp. coefficient:** ±0.01 %/°C (±0.006 %/°F)
- Line voltage effect:** ±0.1 % over voltage range
- Insulation resistance:** ≥ 100 MΩ with 500 V DC
- Dielectric strength:** 2000 V AC @1 minute (input to output 1 to output 2 to power to ground)

STANDARDS & APPROVALS

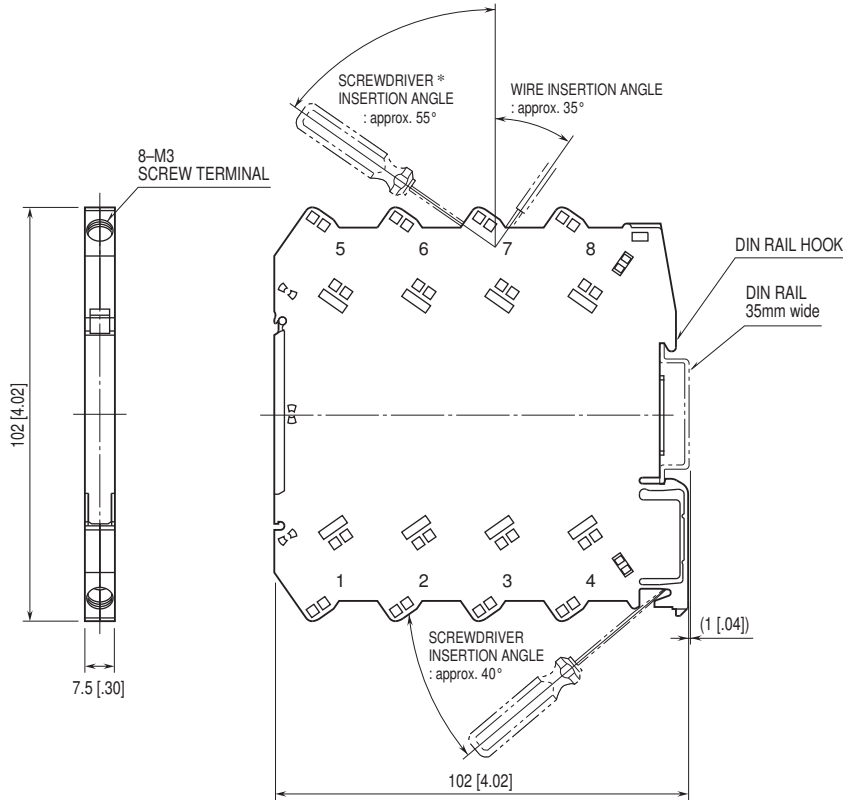
- EU conformity:**
 - EMC Directive
 - EMI EN 61000-6-4
 - EMS EN 61000-6-2
 - RoHS Directive
- Approval:**
 - UL/C-UL nonincendive Class I, Division 2, Groups A, B, C, and D hazardous locations (ANSI/ISA-12.12.01, CAN/CSA-C22.2 No.213)
 - UL/C-UL general safety requirements (UL 61010-1, CAN/CSA-C22.2 No.61010-1)

EXTERNAL VIEW

(With the cover open)

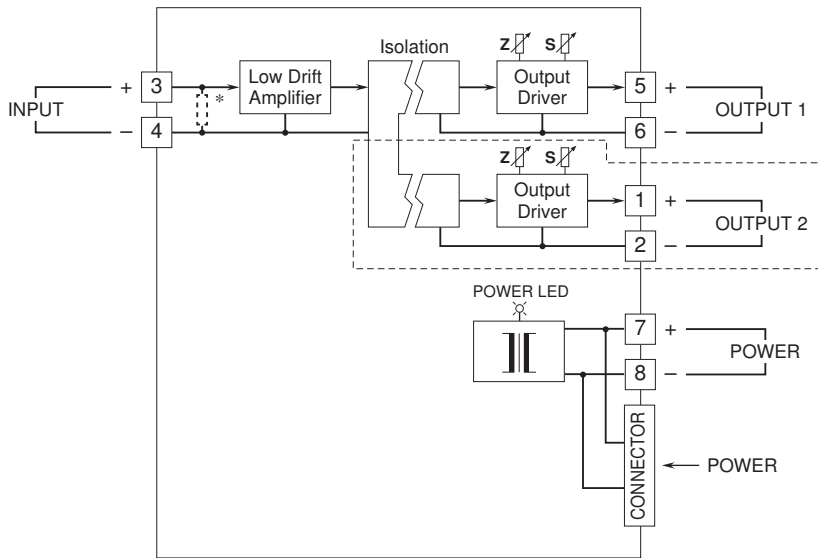


EXTERNAL DIMENSIONS & TERMINAL ASSIGNMENTS unit: mm [inch]



*Screwdriver stem diameter: 6 mm [.24"] or less • When mounting, no extra space is needed between units.

SCHEMATIC CIRCUITRY & CONNECTION DIAGRAM



* Input shunt resistor incorporated for current input.
 Remark: The section enclosed by broken line is only with 2nd output option.



Specifications are subject to change without notice.