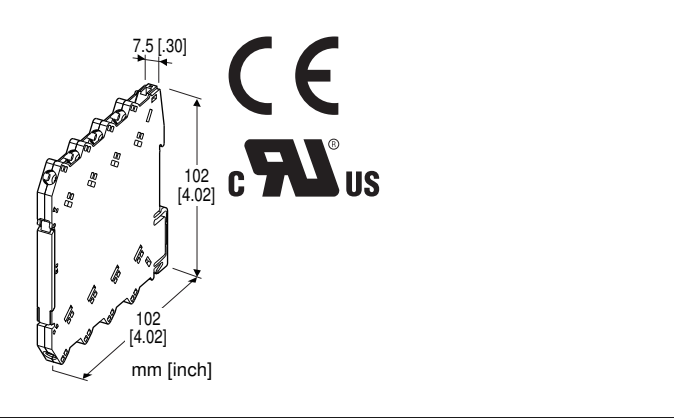


Screw Terminal Ultra-Slim Signal Conditioners M6N/MI Series

POWER SUPPLY MODULE

Functions & Features

- Supplies power to the M6N modules mounted on the Installation Base
- High-density mounting
- Power indicator LED



MODEL: M6NPS1-R[1]/MI

/MI : Odm model

ORDERING INFORMATION

- Code number: M6NPS1-R[1]/MI
Specify a code from below for [1].
(e.g. M6NPS1-R/UL/Q/MI)
- Specify the specification for option code /Q
(e.g. /C01)

POWER INPUT

DC Power
R: 24 V DC
 (Operational voltage range 22 – 27 V, ripple 10 %p-p max.)

[1] OPTIONS (multiple selections)

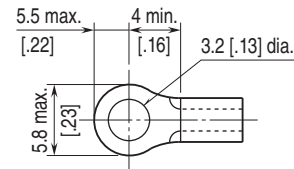
Standards & Approvals
blank: CE marking
/UL: UL approval, CE marking
 Other Options
blank: none
/Q: Option other than the above (specify the specification)

SPECIFICATIONS OF OPTION: Q

COATING
/C01: Silicone coating
/C02: Polyurethane coating

GENERAL SPECIFICATIONS

Connection: M3 screw terminal (torque 0.5 N·m)
Recommended solderless terminal: Max. 5.8 mm (0.23") wide; Ones with insulation sleeve do not fit.
Applicable wire size: 0.2 – 2.5 mm²
Housing material: Flame-resistant resin (black)
Power indicator LED: Green LED turns on when the power is supplied.
 ■ Recommended solderless terminal (unit: mm [inch])



INSTALLATION

Power input: 2 A (Total current consumed by signal conditioners on the base must be 2 A or less.)
Operating temperature: -20 to +55°C (-4 to +131°F)
Operating humidity: 30 to 90 %RH (non-condensing)
Mounting: Installation Base (model: M6NBS)
Weight: 60 g (2.1 oz)

PERFORMANCE

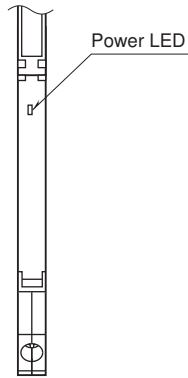
Insulation resistance: ≥ 100 MΩ with 500 V DC
Dielectric strength: 2000 V AC @1 minute (power to ground)

STANDARDS & APPROVALS

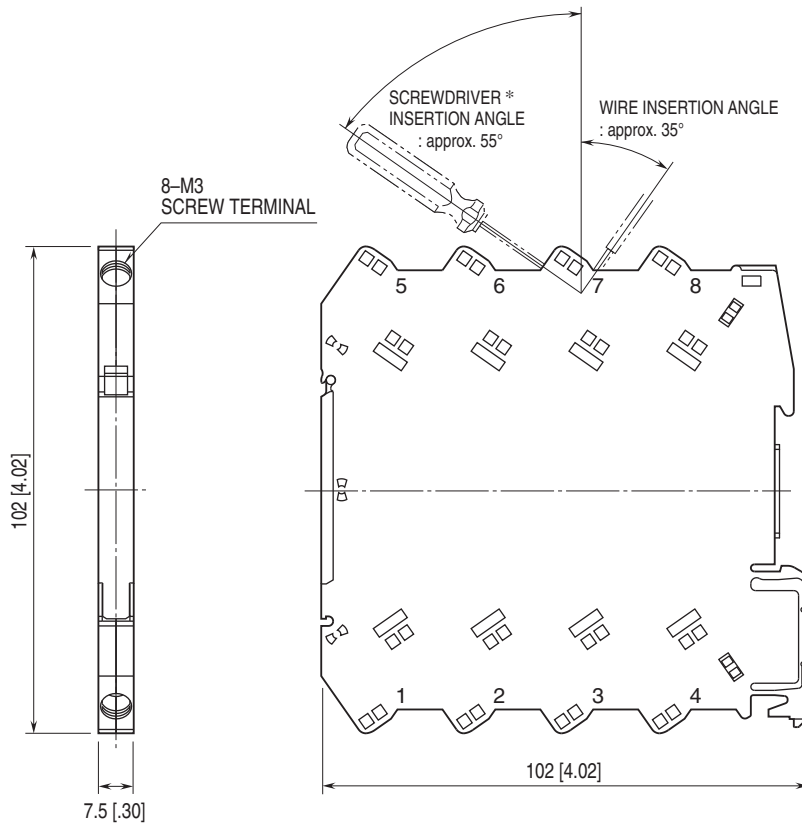
EU conformity:
 EMC Directive
 EMI EN 61000-6-4
 EMS EN 61000-6-2
 RoHS Directive
Approval:
 UL/C-UL nonincendive Class I, Division 2, Groups A, B, C, and D hazardous locations (ANSI/ISA-12.12.01, CAN/CSA-C22.2 No.213)
 UL/C-UL general safety requirements (UL 61010-1, CAN/CSA-C22.2 No.61010-1)

EXTERNAL VIEW

(With the cover open)

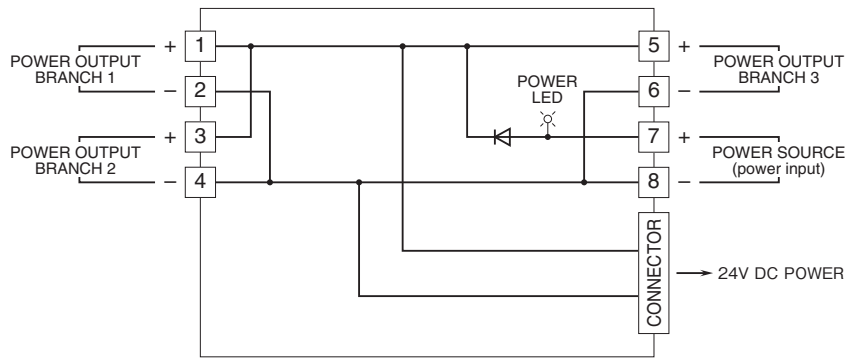


EXTERNAL DIMENSIONS & TERMINAL ASSIGNMENTS unit: mm [inch]



*Screwdriver stem diameter: 6 mm [.24"] or less

SCHEMATIC CIRCUITRY & CONNECTION DIAGRAM



Specifications are subject to change without notice.