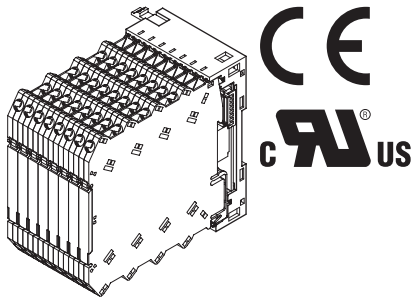


Screw Terminal Ultra-Slim Signal Conditioners M6N/MI Series

INSTALLATION BASE

Functions & Features

- Backplane to collectively supply power to the M6N modules in combination with the Power Supply Module (model: M6NPSx or M6-PSM)



MODEL: M6NBS-[1][2]/MI

/MI : Odm model

ORDERING INFORMATION

- Code number: M6NBS-[1][2]/MI
- Specify a code from below for each of [1] and [2].
(e.g. M6NBS-08/UL/Q/MI)
- Specify the specification for option code /Q
(e.g. /C01)

[1] NUMBER OF SLOTS

- 08:** 8 slots
- 08P:** 8 slots (for extension)
- 08A:** 8 slots + power supply slot (for model M6-PSM)
(UL not available)

[2] OPTIONS (multiple selections)

Standards & Approvals

- blank:** CE marking
- /UL:** UL approval, CE marking

Other Options

- blank:** none
- /Q:** Option other than the above (specify the specification)

SPECIFICATIONS OF OPTION: Q

COATING

Only solder side of the main PWB is coated.

- /C01:** Silicone coating
- /C02:** Polyurethane coating

RELATED PRODUCTS

- M6N series signal conditioners (Not able to supply to AC power signal conditioners (M2 code))
- Power supply module (model: M6NPS1/MI)
- Power supply module (model: M6NPS2/MI)
- Power supply module (model: M6-PSM/MI)
- Blank filler module (model: M6NDM/MI)

GENERAL SPECIFICATIONS

Capacity: Up to 48 modules (including power supply module) with Extension Bases (The usable number of signal conditioners depends on the capacity of the power supply module. Refer to the M6-PSM/MI specification sheets.)

Isolation: Power to ground

INSTALLATION

Operating temperature: -20 to +55°C (-4 to +131°F)

Operating humidity: 30 to 90 %RH (non-condensing)

Atmosphere: No corrosive gas or heavy dust

Mounting: Surface or DIN rail

Weight:

M6NBS-08, -08P: 50 g (1.8 oz) without signal conditioners

M6NBS-08A: 80 g (2.8 oz) without signal conditioners

PERFORMANCE

Insulation resistance: ≥ 100 MΩ with 500 V DC

Dielectric strength: 2000 V AC @1 minute (power to ground)

STANDARDS & APPROVALS

EU conformity:

- EMC Directive
- EMI EN 61000-6-4
- EMS EN 61000-6-2

RoHS Directive

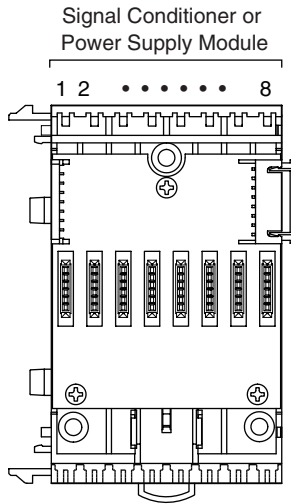
Approval:

- UL/C-UL nonincendive Class I, Division 2, Groups A, B, C, and D
(ANSI/ISA-12.12.01, CAN/CSA-C22.2 No.213)
- UL/C-UL general safety requirements
(UL 61010-1, CAN/CSA-C22.2 No.61010-1)

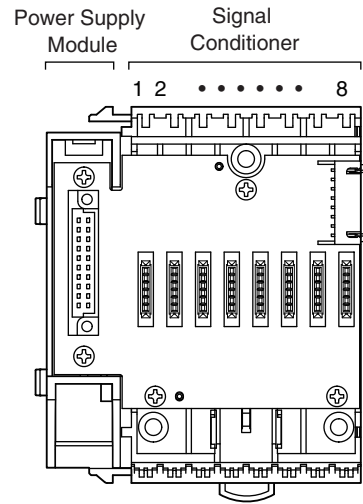
EXTERNAL VIEW

Install signal conditioners from the slot at either end.
 Power Supply Modules (M6NPS1 or M6NPS2) could be mounted at any slots, however, installing them at either end is generally recommended.
 Mount the power supply module (M6-PSM) on the power module slot of M6NBS-08A.

■ M6NBS-08, M6NBS-08P

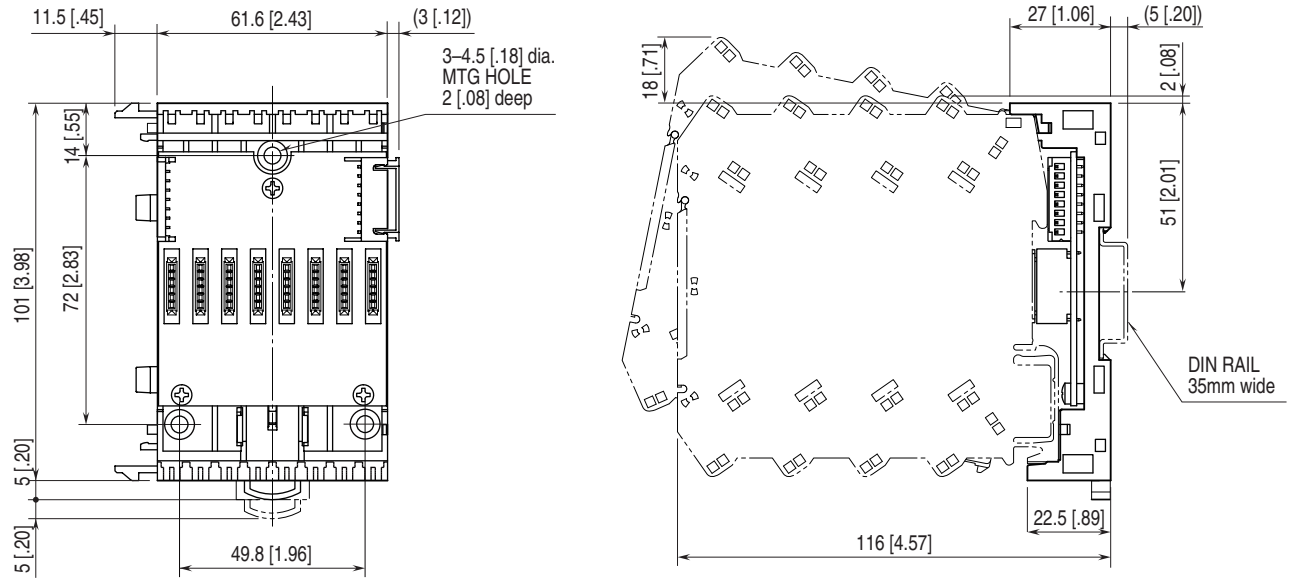


■ M6NBS-08A

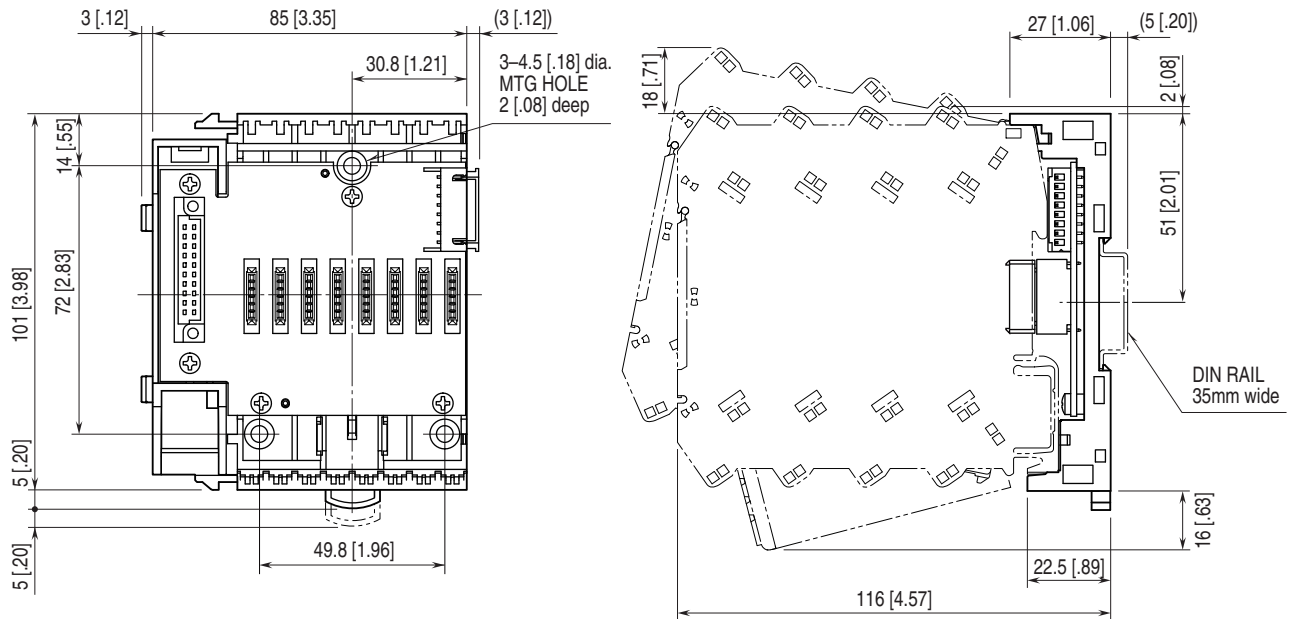


EXTERNAL DIMENSIONS unit: mm [inch]

■ M6NBS-08, M6NBS-08P



■ M6NBS-08A

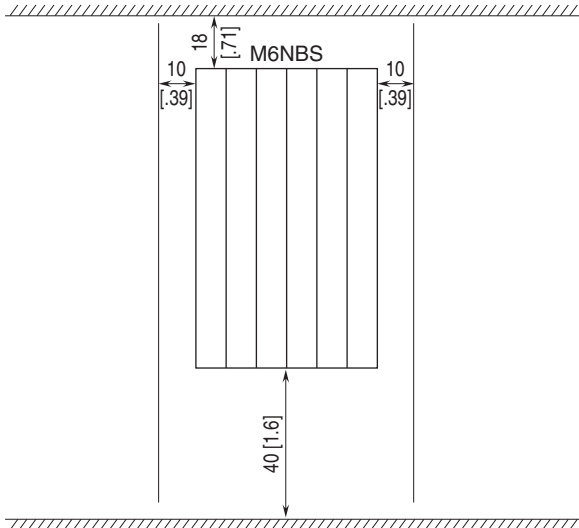


MOUNTING REQUIREMENTS unit: mm [inch]

■ MOUNTING DIRECTION

The unit must be mounted on a vertical panel. Mounting in any other angle will cause internal temperature to rise, may shorten the product's life expectation or deteriorate its performance.

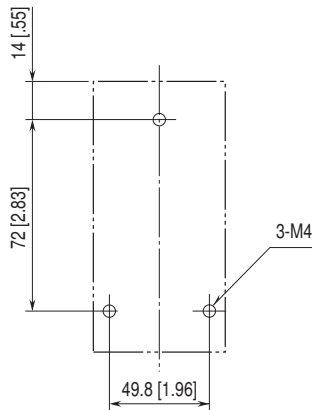
Panel ceiling or wiring conduit (height ≤ 50 mm or 2 in.)



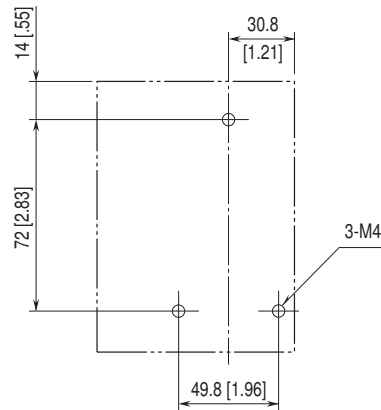
Panel bottom or wiring conduit (height ≤ 50 mm or 2 in.)

■ SURFACE MOUNTING

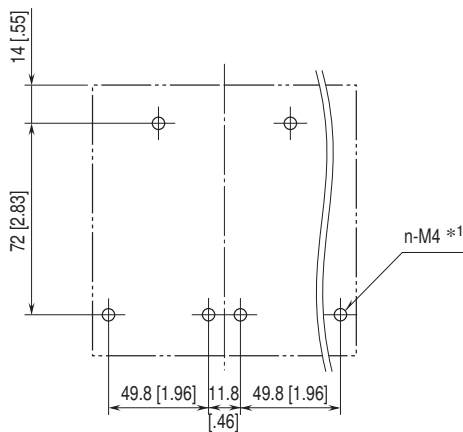
• M6NBS-08



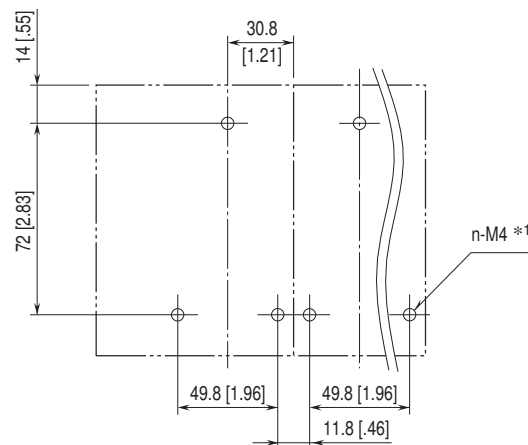
• M6NBS-08A



• M6NBS-08 + M6NBS-08P



• M6NBS-08A + M6NBS-08P



*1. n = (Number of bases) x 3