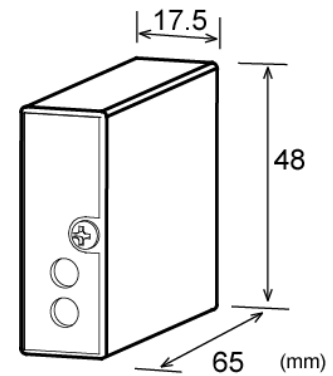




**DESCRIPTION**

The MS2910 is a chassis-mount potentiometer transmitter that supplies constant voltage to potentiometric sensors and converts their mV input signals into mutually isolated dual channel DC output signals.

- ▽ A multi-slot chassis provides ease of maintenance and high-density mounting.
- ▽ Input, output 1, output 2, and power circuits are all isolated from each other.
- ▽ Equipped with a fuse on the DC power line as standard.



**ORDERING INFORMATION**

Ordering Code
MS2910-(□-□)-8□□
[1] [2]

**SPECIFICATIONS**

**POWER SECTION**

Power Requirement	24V DC±10%
Power Sensitivity	Better than ±0.1% of span per 10% change in supply voltage
Power Line Fuse	300mA fuse
Current Consumption	50mA max.

**INPUT SECTION**

Input Range (Specify a range in the field [1].)	Specify an input range between 0–100Ω and 0–10kΩ.
Measuring Voltage	Total resistance 100Ω to 999Ω: Approx. 0.5V Total resistance 1kΩ to 10kΩ: Approx. 5V
Allowable Lead Wire Resistance	10% or less of total resistance per wire. (The resistance of all three wires must be equal.)

**OUTPUT SECTION**

Output (Specify a code in the field [2].)	Output 1 / Output 2 ..... Code ■ 1–5V DC / 1–5V DC ..... V1 ■ 0–5V DC / 0–5V DC ..... V5 ■ 0–10V DC / 0–10V DC ..... V6 ■ 1–5V DC / 4–20mA DC ..... C1 Note: Combinations of two outputs are only available as shown above.
Allowable Output Load	Voltage output: 2mA max. Current output: 300Ω max.
Zero Adjustment	Approx. 0 to 30% of total resistance (Adjustable by front-accessible trimmer)
Span Adjustment	Approx. 70 to 100% of total resistance (Adjustable by front-accessible trimmer)

**PERFORMANCE**

Accuracy Rating	Better than ±0.2% of span (at 25°C±5°C)
Temperature Effect	Better than ±0.2% of span per 10°C change in ambient.
Standard Response Time	Approx. 2Hz–3dB
Isolation	Isolation between input, output 1, output 2, and power.
Insulation Resistance	100MΩ min. (@ 500V DC) between input, output 1, output 2, and power.
Dielectric Strength	Input / [Output 1, Output 2, Power]: 1500V AC for 1 minute (Cutoff current: 0.5mA) Output 1 / Output 2 / Power: 500V AC for 1 minute (Cutoff current: 0.5mA)
Surge Withstand Capability	Tested as per ANSI/IEEE C37.90.1-1989.
Operating Environment	Ambient temperature: 0 to 55°C Humidity: 5 to 90% RH (non-condensing)
Storage Temperature	–10 to 60°C

**PHYSICAL**

Installation	Mounted in an optional chassis (RC2900).
Wiring	Wired to an optional chassis (RC2900).
External Dimensions	W17.5 × H48 × D65 mm
Weight	70g max.

**MATERIAL**

Housing	ABS resin (UL 94V-0)
PC Board	Glass fabric, epoxy resin (FR-4: UL 94V-0)
Potting Agent	Polyurethane

**BLOCK DIAGRAM AND CONNECTION DIAGRAM**

