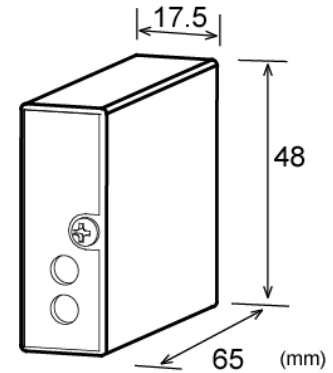




**DESCRIPTION**

The MS2907 is a chassis-mount distributor that powers a two-wire transmitter and converts its 4–20mA signals into mutually isolated dual channel DC output signals.

- ▽ A multi-slot chassis provides ease of maintenance and high-density mounting.
- ▽ Input, output 1, output 2, and power circuits are all isolated from each other.
- ▽ Equipped with a fuse on the DC power line as standard.



**ORDERING INFORMATION**

Ordering Code
MS2907-8□□ [1]

**SPECIFICATIONS**

**POWER SECTION**

Power Requirement	24V DC±10%
Power Sensitivity	Better than ±0.1% of span per 10% change in supply voltage
Power Line Fuse	300mA fuse
Current Consumption	80mA max.

**INPUT SECTION**

Input	4 to 20mA DC from 2-wire transmitters
Input Resistance	250Ω
Transmitter Power Supply	Output voltage: 24V DC, typical (0% input) 18V DC, typical (100% input) Maximum current: Approx. 25mA
Transmitter Load Resistance	550Ω max.
Limit Current for Short-Circuit Protection	26mA, typical. Built-in short-circuit detection circuit for output codes of V1, V5, and V6.
Permissible Short-Circuit Duration	Continuous.

**OUTPUT SECTION**

Output (Specify a code in the field [1].)	Output 1 / Output 2 ..... Code ■ 1–5V DC / 1–5V DC ..... V1 ■ 0–5V DC / 0–5V DC ..... V5 ■ 0–10V DC / 0–10V DC ..... V6 ■ 1–5V DC / 4–20mA DC ..... C1 Note: Combinations of two outputs are only available as shown above.
Allowable Output Load	Voltage output: 2mA max. Current output: 300Ω max.
Zero Adjustment	Approx. ±2% of span (Adjustable by front-accessible trimmer)
Span Adjustment	Approx. ±2% of span (Adjustable by front-accessible trimmer)

**PERFORMANCE**

Accuracy Rating	Better than ±0.1% of span (at 25°C±5°C)
Temperature Effect	Better than ±0.2% of span per 10°C change in ambient.
Standard Response Time	Approx. 30Hz–3dB
Isolation	Isolation between input, output 1, output 2, and power.
Insulation Resistance	100MΩ min. (@ 500V DC) between input, output 1, output 2, and power.
Dielectric Strength	Input / [Output 1, Output 2, Power]: 1500V AC for 1 minute (Cutoff current: 0.5mA) Output 1 / Output 2 / Power: 500V AC for 1 minute (Cutoff current: 0.5mA)
Surge Withstand Capability	Tested as per ANSI/IEEE C37.90.1-1989.
Operating Environment	Ambient temperature: 0 to 55°C Humidity: 5 to 90% RH (non-condensing)
Storage Temperature	–10 to 60°C

**PHYSICAL**

Installation	Mounted in an optional chassis (RC2900).
Wiring	Wired to an optional chassis (RC2900).
External Dimensions	W17.5 × H48 × D65 mm
Weight	60g max.

**MATERIAL**

Housing	ABS resin (UL 94V-0)
PC Board	Glass fabric, epoxy resin (FR-4: UL 94V-0)
Potting Agent	Polyurethane

**BLOCK DIAGRAM AND CONNECTION DIAGRAM**

