

DESCRIPTION

The MS2900-TH is an I/O adapter that does not provide any signal conditioning. The module includes a front-accessible push-button switch, which allows the user to utilize the internal shunt resistor (250Ω) to convert current signal into voltage signal.

ORDERING INFORMATION

Ordering Code
MS2900-TH

SPECIFICATIONS

INPUT SECTION

Input	1 to 5V DC voltage signals or 4 to 20mA DC current signals Note: When the front-accessible switch is turned on for current signal input, the internal 250Ω shunt resistor is connected across the input to output voltage signals. The switch must be turned off for voltage signal input.
Shunt Resistor	250Ω (Accuracy: ±0.1%)

PERFORMANCE

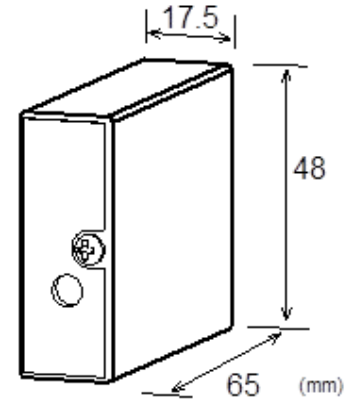
Operating Environment	Ambient temperature: 0 to 55°C Humidity: 5 to 90% RH (non-condensing)
Storage Temperature	-10 to 60°C

PHYSICAL

Installation	Mounted in an optional chassis (RC2900).
Wiring	Wired to an optional chassis (RC2900).
External Dimensions	W17.5 × H48 × D65 mm
Weight	Approx. 70g

MATERIAL

Housing	ABS resin (UL 94V-0)
PC Board	Glass fabric, epoxy resin (FR-4: UL 94V-0)



BLOCK DIAGRAM

