

DESCRIPTION

The MS3764 is a slim, plug-in dual-channel loop-powered isolator that takes the power from its input current loop.

ORDERING CODE

Model _____ **MS3764** -

Input (Channel 1 / Channel 2)
 4 to 20mA DC / 4 to 20mA DC

Output (Channel 1 / Channel 2) _____

A: 4 to 20mA DC / 4 to 20mA DC
V: 1 to 5V DC / 1 to 5V DC

Options _____

No code: None
/H: Polyurethane conformal coating

ORDERING INFORMATION

To place an order, please use the ordering code format as shown above.
 (e.g.) MS3764-V

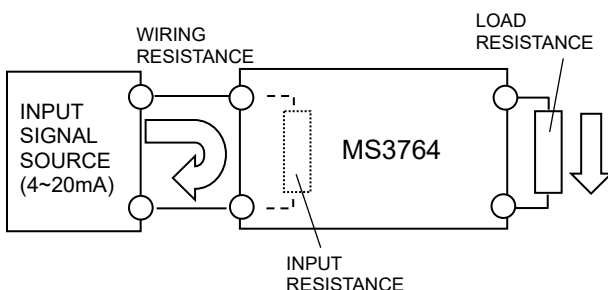
INPUT RESISTANCE CALCULATION

The input resistance for the current output model is calculated by the following equation:

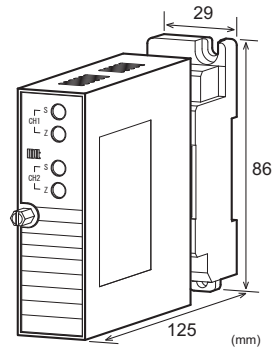
Input resistance = Approx. 230Ω + Load resistance (for 20mA DC input)
 Maximum output load: 350Ω
 (Allowable load resistance: 50 to 350Ω)

(Example) Input resistance with a load resistance of 250Ω
 Input resistance = Approx. 230Ω + 250Ω = Approx. 480Ω
 (for 20mA DC input)

The allowable load resistance of an input signal source must be not less than the resistance calculated above, added with the wiring resistance.



Note: The input resistance for the voltage output model is fixed to approx. 250Ω (for 20mA DC input).



SPECIFICATIONS

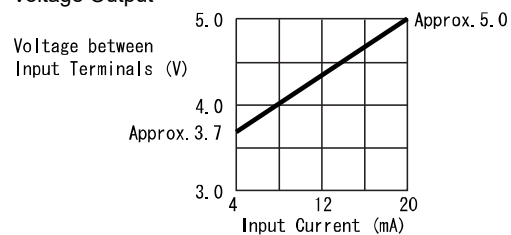
INPUT SECTION

Input Signal	4 to 20mA DC
Input Resistance	
Voltage Output Model	Approx. 250Ω (for 20mA DC input)
Current Output Model	Approx. 230Ω + Load resistance (for 20mA DC input)
Allowable Input Current	30mA DC max.

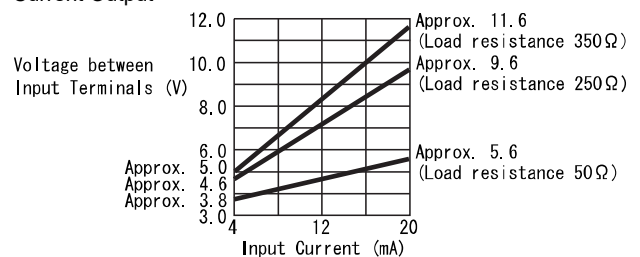
OUTPUT SECTION

Allowable Output Load	
Voltage Output (DC)	50kΩ min.
Current Output (DC)	4 to 20mA 350Ω max. (Allowable load resistance: 50 to 350Ω)
Zero Adjustment	
Voltage Output Model	Approx. ±2.5% of span.
Current Output Model	Approx. ±0.5% of span. (Adjustable by the front-accessible trimmer.)
Span Adjustment	
Voltage Output Model	Approx. ±2.5% of span.
Current Output Model	Approx. ±1.5% of span. (Adjustable by the front-accessible trimmer.)

Voltage Output



Current Output



PERFORMANCE

Accuracy Rating	Better than $\pm 0.15\%$ of span.
Temperature Effect	Better than $\pm 0.2\%$ of span per 10°C change in ambient.
Response Time	15ms max. (0 to 90%) with a step input at 100%.
Output Variation due to Load Change	0.01%/ Ω (50 to 150 Ω) 0.005%/ Ω (150 to 350 Ω) * Adjusted at 250 Ω for shipment.
CMRR	100dB min. (500V AC, 50/60Hz)
Isolation	Isolation between input and output, and channels.
Insulation Resistance	100M Ω min. (@ 500V DC) between input and output, and channels.
Dielectric Strength	Input / Output: 1500V AC for 1 minute (Cutoff current: 0.5mA) Channel to Channel: 1500V AC for 1 minute (Cutoff current: 0.5mA)
Surge Withstand Capability	Tested as per ANSI/IEEE C37.90.1-1989.
Operating Environment	Ambient temperature: -5 to 55°C Humidity: 5 to 90% RH (non-condensing)
Storage Temperature	-10 to 60°C

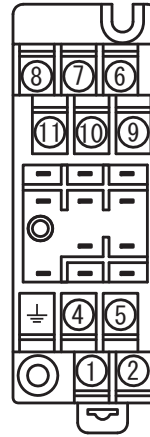
PHYSICAL

Installation	Wall/DIN rail mounting
Wiring	M3.5 screw terminal connection (with a power terminal block cover & drop-proof screws)
Screwing Torque	0.8 to 1.0 [Nm] * Recommended
External Dimensions	W29 x H86 x D125 mm (including the mounting screw and socket)
Weight	Main unit: 100g max. Socket: 80g max.

MATERIAL

Housing	ABS resin (UL 94V-0)
Terminal Block	PBT resin (UL 94V-0)
Terminal Block Cover	PC resin (UL 94V-2)
DIN Rail Stopper	PP resin (UL 94HB)
Screw Terminal	Nickel-plated steel
Contacts Material and Finish	Brass with 0.2 μm gold plating
Printed Circuit Board	Glass fabric, epoxy resin (FR-4: UL 94V-0)

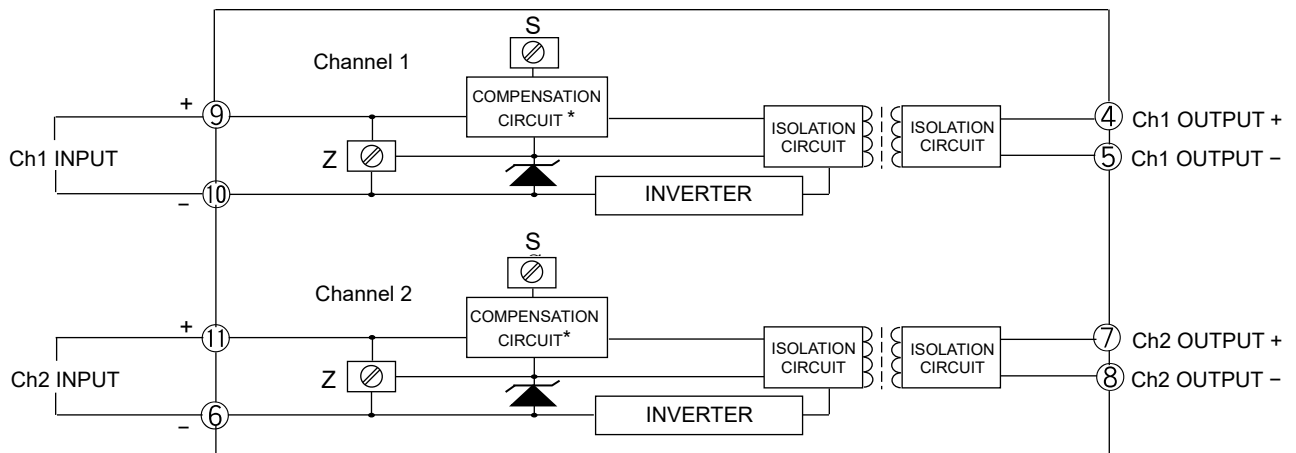
TERMINAL ASSIGNMENTS



①	N.C.
②	N.C.
⊥	N.C.
④	+ OUTPUT Ch 1
⑤	- OUTPUT Ch 1
⑥	- INPUT Ch 2
⑦	+ OUTPUT Ch 2
⑧	- OUTPUT Ch 2
⑨	+ INPUT Ch 1
⑩	- INPUT Ch 1
⑪	+ INPUT Ch 2

BLOCK DIAGRAM

Current Input / Current Output Model:



* CIRCUIT FOR COMPENSATING FOR OUTPUT VARIATION DUE TO LOAD CHANGE

Current Input / Voltage Output Model:

