

DESCRIPTION

The MS3705 is a slim, plug-in alarm setter that compares the levels of DC current or voltage signals with two set-points (upper and lower limits) and outputs two independent isolated relay contact closure signals.

ORDERING CODE

MS3705 - -

Model _____

Power Supply _____
A: 100 to 240V AC (50 to 60Hz)
D: 24V DC **P:** 100 to 240V DC

Input _____
A: 4 to 20mA DC **3:** 0 to 1V DC
D: 0 to 20mA DC **4:** 0 to 10V DC
 5: 0 to 5V DC
 6: 1 to 5V DC

Relay Activation Modes for Output 1&2
Mode of operation for each channel can be selected from the following:

	Input < Set Value	Input > Set Value
H:	Relay deactivated	Relay activated
L:	Relay activated	Relay deactivated

Note: The mode of operation cannot be changed by any user.

Options

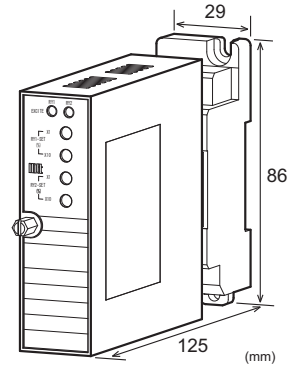
- No code:** None
- /K:** Fast response (0 to 90% response time: 100ms max.)
- /H:** Polyurethane conformal coating
- /X:** Others (Special order)
- * For non-standard options, ask MTT for availability.

ORDERING INFORMATION

To place an order, please use the ordering code format as shown above.
(e.g.) MS3705-A-6HL

* The factory default trip point for both channels is 50% of input span.

Other Ordering Examples:
For an option code of "X": MS3705-A-6HL/X (Response time constant: T = 50ms with 90% setting)
For specific trip points*: MS3705-A-6HL
 Trip point for Output 1: 40%
 Trip point for Output 2: 70%
* Specify trip points in % within the range of 0 to 99% of input span.
Note: If you wish to include multiple options in your order, specify the option codes in series (e.g. /KX).



SPECIFICATIONS

POWER SECTION

Power Requirements	100 to 240V AC: 85 to 264V AC (47 to 63Hz) 24V DC: 24V DC±10% 100 to 240V DC: 85 to 264V DC		
Power Sensitivity	Better than ±0.1% of span for each power supply range		
Power Line Fuse	160mA fuse is installed (standard).		
Power Consumption			
Power	100-240V AC	24V DC	100-240V DC
	6.5VA max	2.0W max	8.4W max

INPUT SECTION

Input Resistance			
Voltage Input (DC)	With power:	1MΩ min.	
	Without power:	10kΩ min.	
Current Input (DC)	4 to 20mA (std.)	250Ω	
Allowable Input Voltage			
Voltage Input Model	30V DC max., continuous.		
Current Input Model	40mA DC max., continuous.		

OUTPUT SECTION

Output Signal	Two independent form C relay contact closure signals		
Trip Points			
Setting	Through the front-accessible rotary switches.		
Range	0 to 99% of span (adjustable in steps of 1%).		
Accuracy	±0.5% of span.		
Hysteresis	1.0%±0.3% of span		
Relay Indicator	The red LED lights up when the relay is activated.		
Relay Activation without Power	COM and NC are closed for each output.		
Relay Start-up Limitation	The relay gets ready for action about 2 seconds after power-up.		

● **PERFORMANCE**

Temperature Effect	Better than ±0.15% of span per 10°C change in ambient.
Response Time	150ms max. (0 to 90%) with a step input at 100%.
Isolation	Isolation between input, output 1, output 2, and power.
Insulation Resistance	100MΩ min. (@ 500V DC) between input, output 1, output 2, power, and ground.
Dielectric Strength	Input / Output 1 / Output 2 / [Power, Ground]: 2000V AC for 1 minute (Cutoff current: 0.5mA) Power / Ground: 2000V AC for 1 minute (Cutoff current: 5.0mA)
Relay Contacts	
Rated Load	5A 125V AC, 5A 30V DC
Maximum Allowable Voltage	250V AC, 30V DC
Maximum Allowable Current	5A (NO) / 3A (NC)
Electrical Life	5A, 250V AC (NO): 50 × 10 ³ cycles (Frequency: 1,800 cycles/h) 5A, 30V DC (NO): 100 × 10 ³ cycles (Frequency: 1,800 cycles/h)
Mechanical Life	5 × 10 ⁶ cycles (Frequency: 18,000 cycles/h)
Surge Withstand Capability	Tested as per ANSI/IEEE C37.90.1-1989.
Operating Environment	Ambient temperature: -5 to 55°C Humidity: 5 to 90% RH (non-condensing)
Storage Temperature	-10 to 60°C
● PHYSICAL	
Installation	Wall/DIN rail mounting
Wiring	M3.5 screw terminal connection (with a power terminal block cover & drop-proof screws)
Screwing Torque	0.8 to 1.0 [Nm] * Recommended
External Dimensions	W29 × H86 × D125 mm (including the mounting screw and socket)
Weight	Main unit: 130g max. Socket: 80g max.

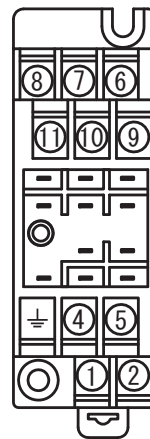
● **MATERIAL**

Housing	ABS resin (UL 94V-0)
Terminal Block	PBT resin (UL 94V-0)
Terminal Block Cover	PC resin (UL 94V-2)
DIN Rail Stopper	PP resin (UL 94HB)
Screw Terminal	Nickel-plated steel
Contacts Material and Finish	Brass with 0.2μm gold plating
Printed Circuit Board	Glass fabric, epoxy resin (FR-4: UL 94V-0)

● **STANDARDS CONFORMITY**

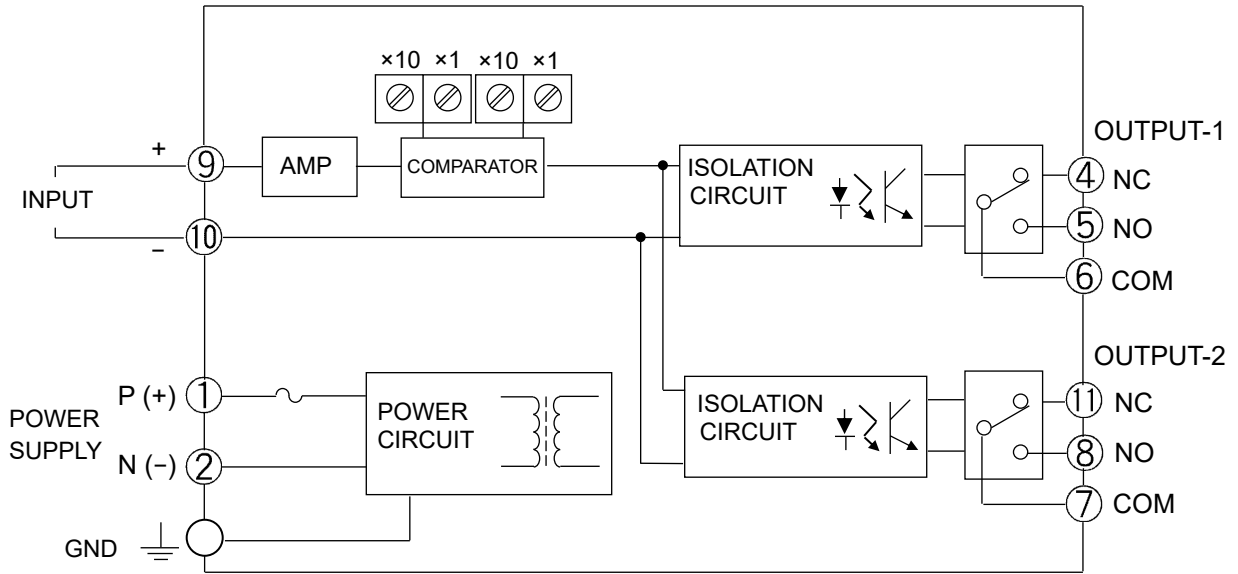
EC Directive Conformity	EMC Directive (2014/30/EU) EN61326-1:2013 Low Voltage Directive (2014/35/EU) IEC61010-1 EN61010-1:2010/A1:2019 Installation Category II Pollution Degree 2 Maximum operating voltage 300V Reinforced insulation between [input/output/GND] and power.
-------------------------	---

TERMINAL ASSIGNMENTS



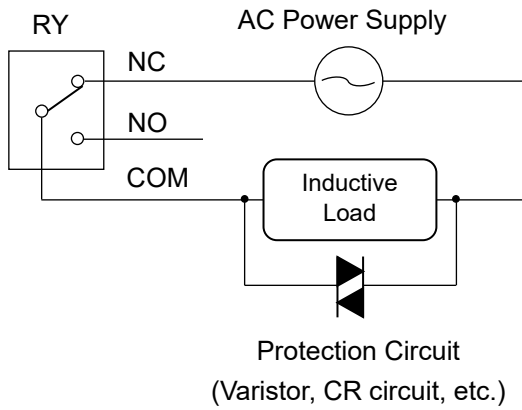
①	P (+)	POWER
②	N (-)	
③	GND	
④	NC OUT 1	
⑤	NO OUT 1	
⑥	COM OUT 1	
⑦	COM OUT 2	
⑧	NO OUT 2	
⑨	+ INPUT	
⑩	- INPUT	
⑪	NC OUT 2	

BLOCK DIAGRAM



When an inductive load, such as an electric motor, is connected to the output, a relay contact protection circuit must be connected across the load.

Example of AC Power Connection:



Example of DC Power Connection:

