

MS3700 Series Slim Plug-In Modules



Isolator with Isolated Dual Output (with Signal Selector Switches)

The MS3704SW features built-in signal selector switches, which allow users to configure input and/or output signals for 1-5V or 4-20mA.

6 Different Signal Settings

Input, Output 1 and Output 2 ranges are separately field selectable (1-5V or 4-20mA) to accommodate an unexpected change in specifications.

5-way isolation between Input, Output 1, Output 2, Power, and Ground.

Rear-accessible selector switch enabling burnout protection to be selected between upscale and downscale drive (for 1-5V input).

Separate ZERO / SPAN adjustment of Output 1 and Output 2.

No need for installation and removal of input resistor (250 ohms) for signal switching.

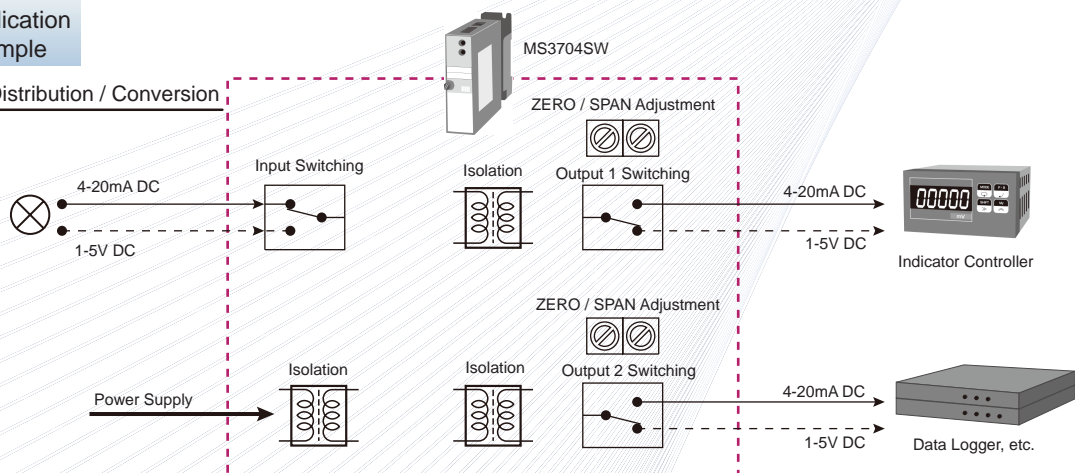


MS3704SW

Price ¥50,000

Application Example

Isolation / Distribution / Conversion



Support Assistance

For inquiries about delivery, stock on hand, and optional specifications, please call:



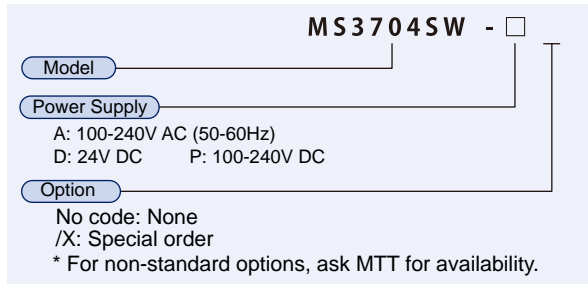
QR code

Japan Toll-free: +81-0120-853-537

* The number can be reached from mobile phones.



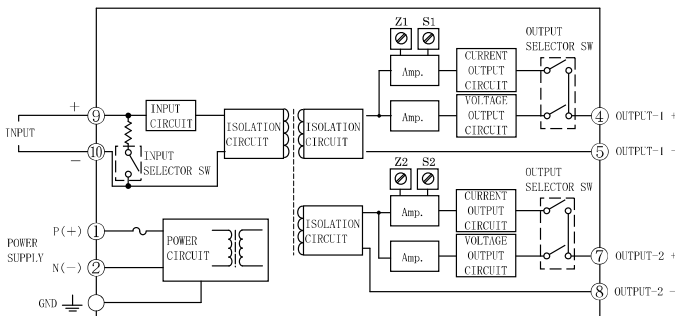
Specifications



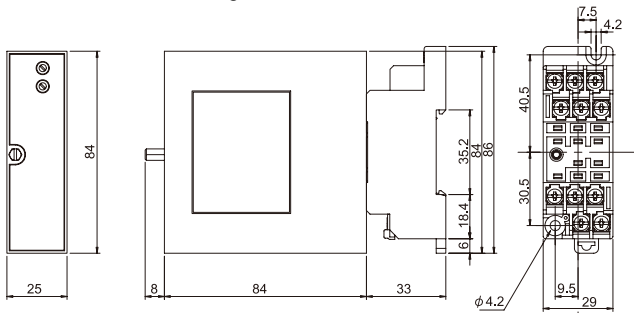
Power Section

Power Requirements	100-240V AC: 85-264V AC (47-63Hz) 24V DC: 24V DC +/-10% 100-240V DC: 85-264V DC
Power Sensitivity	Better than +/-0.1% of span for each power supply range.
Power Line Fuse	160mA fuse
Maximum Power Consumption	
Power	100-240V AC / 24V DC / 100-240V DC 6.5VA / 2.0W / 2.5W

Block Diagram



Dimensional Drawing



Input Section

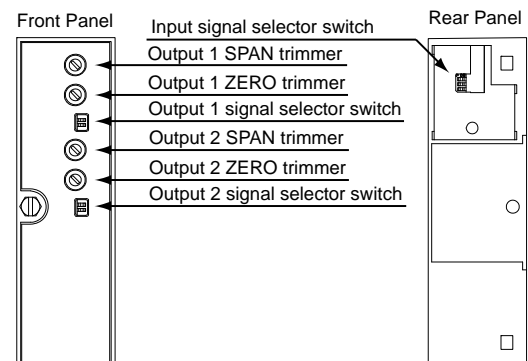
Input Signal	1-5V or 4-20 mA Selectable by the rear-accessible switch.
Input Resistance	
Voltage Input (DC)	1M ohms min. with or without power.
Current Input (DC)	250 ohms
Allowable Input Voltage	
Voltage Input	30V DC max., continuous.
Current Input	40mA DC max., continuous.

Output Section

Output Signal	1-5V or 4-20mA Selectable by the front-accessible switch.
Allowable Output Load	
Voltage Output (DC)	Output 1: 2mA max. Output 2: 2mA max.
Current Output (DC)	Output 1: 750 ohms max. Output 2: 350 ohms max.
Zero Adjustment	Output 1: Approx. +/-5% of span. Output 2: Approx. +/-5% of span. (Adjustable by the front-accessible trimmer.)
Span Adjustment	Output 1: Approx. +/-5% of span. Output 2: Approx. +/-5% of span. (Adjustable by the front-accessible trimmer.)
Burnout Protection	Selectable between upscale and downscale drive only for voltage input. (Downscale for current input)

Performance

Accuracy Rating	Better than +/-0.1% of span (at 25 +/-5 °C).
Temperature Effect	Better than +/-0.2% of span per 10 °C change in ambient.
Response Time	85ms max. (0 to 90%) with a step input at 100%.
CMRR	100dB min. (500V AC, 50/60Hz)
Isolation	5-way isolation between input, output 1, output 2, power, and ground.
Insulation Resistance	100M ohms min. (@500V DC) between input, output 1, output 2, power, and ground.
Dielectric Strength	Input / [Output 1, Output 2] / [Power, Ground]: 2000V AC for 1 minute (cutoff current: 0.5mA) Power / Ground: 2000V AC for 1 minute (cutoff current: 5mA) Output 1 / Output 2: 500V AC for 1 minute (cutoff current: 0.5mA)
Surge Withstand Capability	Tested as per ANSI/IEEE C37.90.1-1989.
Operating Environment	Ambient temperature: -5 to 55 °C Humidity: 5 to 90% RH (non-condensing)
Storage Temperature	-10 to 60 °C



* Product design and specifications are subject to change without notice.



MTT Corporation

14-28 Yotsuya San'ei-cho, Shinjuku-ku
 Tokyo 160-0008
 Phone: +81 (0)3-5379-1980



Contact us: Website: www.mtt.co.jp
 Toll-free: +81-0120-853-537