

LT2

Series LVDT

LINEAR VARIABLE DIFFERENTIAL  
TRANSFORMER

Displacement Sensor

**New line-up to the LT series  
displacement sensors!!**



**Robustness Added to the LT1 Series LVDT!  
The LT2 Series Further Broadens the Application  
Range of Highly-reliable Measurement.**

**LONG**

Capable of long-distance transmission.  
Enables long-stroke measurement.  
Long life.

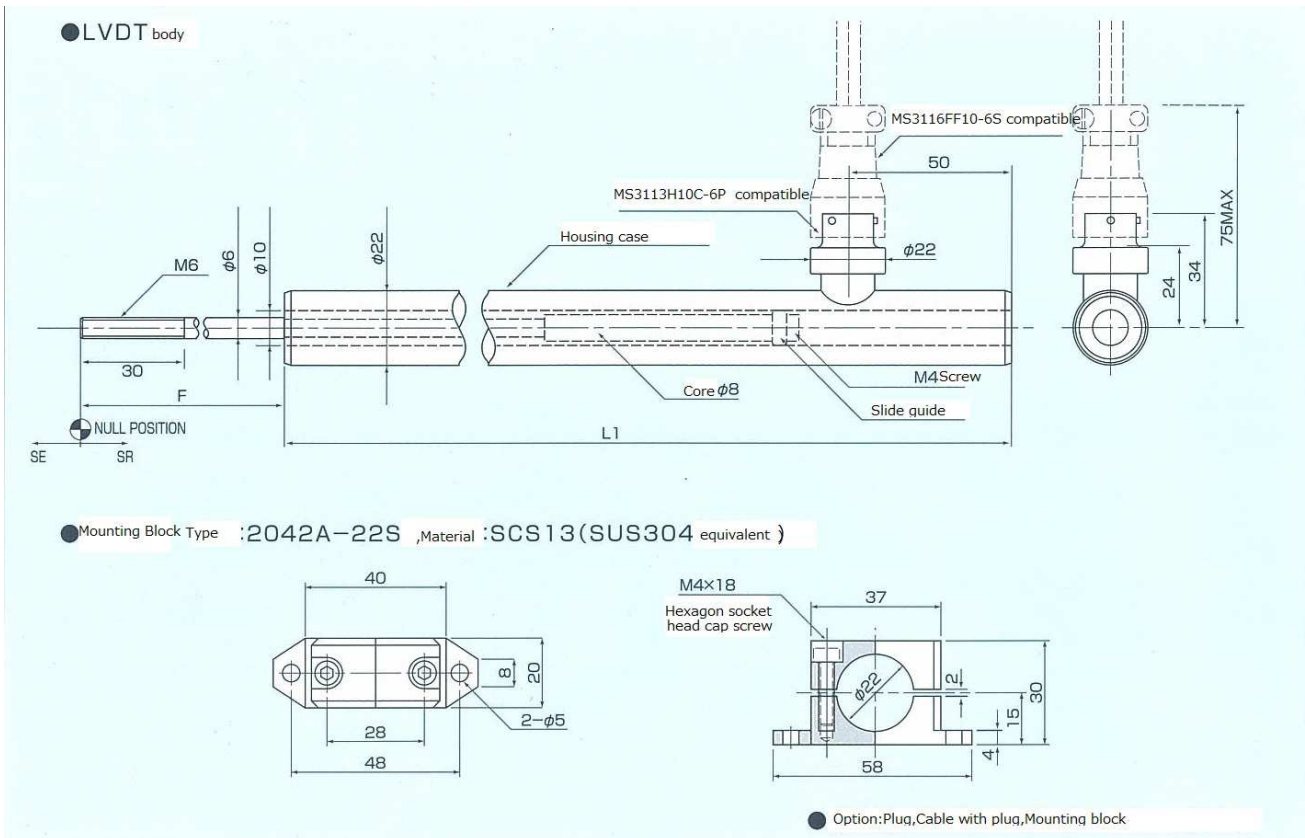
**WIDE**

Offers a wide range of application.  
Supports a wide range of temperature.  
Proven in a wide range of fields.

**COMPACT**

1/2 to 1/3 the size of general models.

# Appearance and Dimensions



## Specifications

Excitation Voltage	5Vrms
Excitation Frequency	5KHz
Range of working temperature	-20°C ~ +125°C
Protection grade	IP67
Linearity	±0.2% for the entire stroke
Output	0.7V (TYP) *
Primary impedance	200Ω and over
Temperature coefficient	±50ppm/°CTYP

TYPE LT2	Measurement stroke (mm)	L1 (mm) Full length	SE (mm) (Draw-out direction)	SR (mm) Draw-in	F (mm) Null position
060R	60 (±30)	163	30	30	70
120R	120 (±60)	223	60	60	100
220R	220 (±110)	362	110	110	150
330R	330 (±165)	502	165	165	205
440R	440 (±220)	628	220	220	260
600R	600 (±300)	748	300	300	340

\*Output voltage for one half of each measurement stroke

## Related Product

Displacement sensor LT1series



Displacement sensor LV5 series



Displacement Meter SA series



MTT INSTRUMENTS, INC.

2-14-14 Miyahara, Yodogawa-ku, Osaka  
532-0003 JAPAN

TEL : +81-6-4866-5880

FAX : +81-6-4807-4550