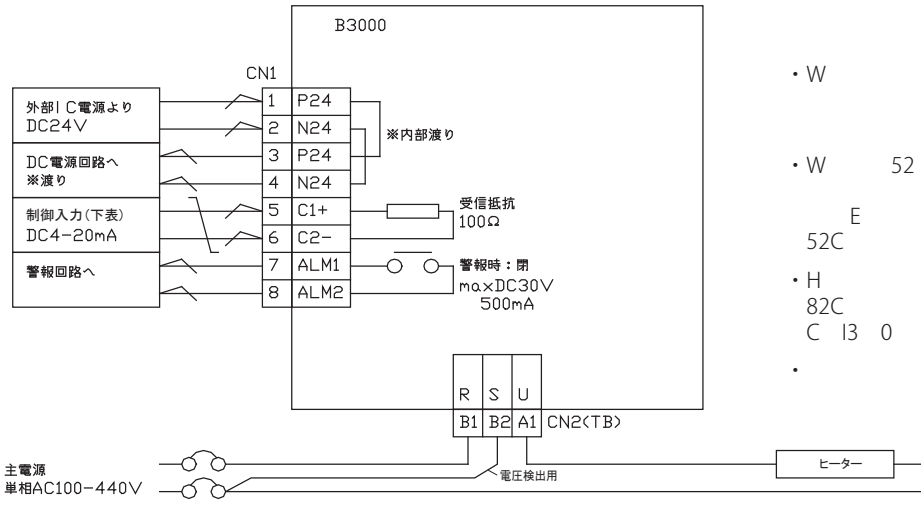


	(knm)		k g
	A	B	
3030	0	210	M4×2
3060	0	220	M4×2
3120	75	230	M5×4
3200	100	235	M5×4



・W
 0 x
 ・W 52 C I C I34 C I320
 E
 52C
 ・H
 82C
 C I3 0
 0 m 1

Code		Specification			Dimension (mm)	gk
B3	CE	g	g	g k	g	
E g	03	30A			W54×H200×D160	1.4 kg
	06	60A			W90×H210×D250	2.9 kg
	12	120A			W115×H220×D270	4.5 kg
	20	200A			W150×H227×D285	5.9 kg
g ※H	1	AC110V (AC100-120V)				
	2	AC220V (AC200-240V)				
	4	AC440V (AC380-440V)				
Control input type	-1	DC4-20mA (Tg gkg g k g 100Ω)				
	-2	DC0-5V				
	-3	DC0-10V				
Option	-L	g -current Alarm Overheat Alarm Option				¥10,000
	-G	Gradient volume				¥10,000
	-LG	Select L/G at same time				¥20,000